

TMX W360

SAW Bandpass Filter – DCS1800 Rx – RF
Specification (Rev 2)

▣ Features.....	P01
▣ Package Drawing & Pin out.....	P01
▣ Technical Characteristics	P02
▣ Matching Network.....	P02
▣ Nominal Response.....	P03
▣ Maximum Ratings.....	P04
▣ Marking & Packaging	P04

TMX W360

SAW Bandpass Filter – DCS1800 Rx – RF

Specification (Rev 2)

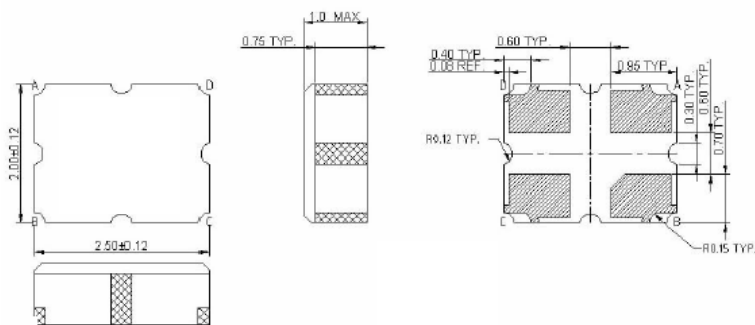
August 18th, 2006

Features

- ❑ Rx Filter for DCS1800
- ❑ 1842,5 MHz Center Frequency
- ❑ 75 MHz useable Passband
- ❑ 50 W Single Input / 50 W Single Output
- ❑ Ceramic Package for Surface Mounted Technology

Package Drawing & Pin out

The product is in conformance with the European RoHs Regulation 2002/95.



Pin Configuration

Input	B
Output	D
Case ground	A, C

TMX W360

SAW Bandpass Filter – DCS1800 Rx – RF

Specification (Rev 2)

August 18th, 2006

Technical Characteristics

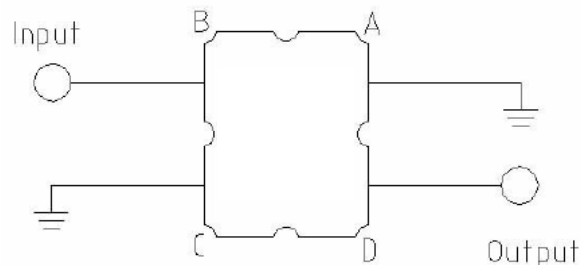
Reference Temperature : +25°C

Electrical Parameters	Unit	Minimum	Typical ⁽¹⁾	Maximum
Source Impedance (single ended)	Ω	-	50 ⁽²⁾	-
Load Impedance (single ended)	Ω	-	50 ⁽²⁾	-
Center Frequency f_0	MHz	-	1842.5	-
Bandwidth at -3 dB	MHz	75	-	-
Absolute attenuation				
DC to 500 MHz	dB	19	28	-
500 MHz to 1200 MHz	dB	17.5	22.5	-
1200 MHz to 1705 MHz	dB	19	22	-
1705 MHz to 1784.9 MHz	dB	8	15.5	-
1920 MHz to 1980 MHz	dB	10	31	-
1980 MHz to 2700 MHz	dB	23	26.5	-
2700 MHz to 3840 MHz	dB	15	29	-
3840 MHz to 6000 MHz	dB	13	18.5	-
Insertion Loss within 1805 MHz ~ 1880 MHz	dB	-	3.1	4.2
VSWR within 1805 MHz ~ 1880 MHz		-	1.8	2.4
Ripple within 1805 MHz ~ 1880 MHz	dB	-	1.4	2.5

Notes :

- (1) Typical values are nominal performances at room temperature.
- (2) No external matching network is required.

Matching Network



TMX W360

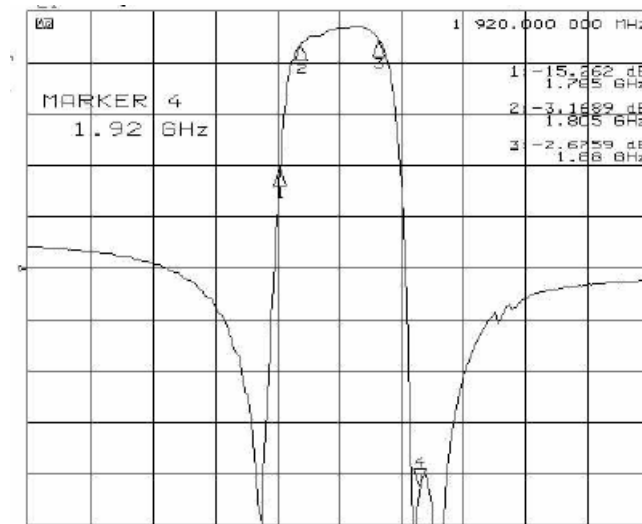
SAW Bandpass Filter – DCS1800 Rx – RF

Specification (Rev 2)

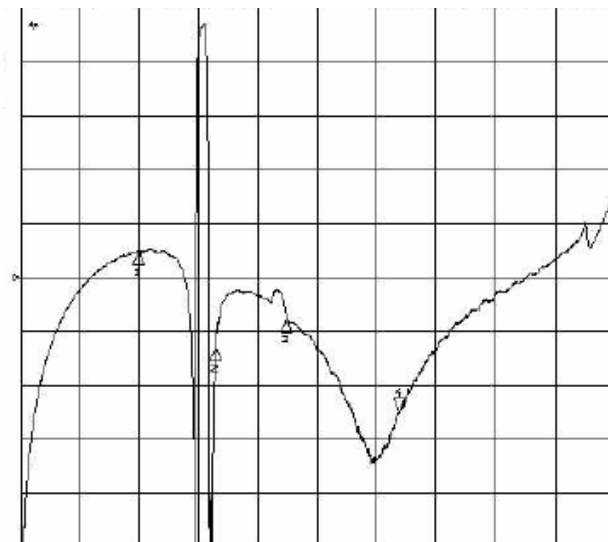
August 18th, 2006

Nominal Frequency Response (Measurements)

Frequency Response



Frequency Response



TMX W360

SAW Bandpass Filter – DCS1800 Rx – RF

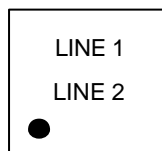
Specification (Rev 2)

August 18th, 2006

Maximum Ratings

Operating Temperature Range	°C	[-40°C ; +85°C]
Storage Temperature Range	°C	[-40°C ; +85°C]
DC voltage	V	0
Input Power Level	dBm	13

Marking



Line 1: "P C" with P for the code product identification and C for the partner identifier

Line 2: "Y W" with Y for the last digit of the year and W for the week code (A to Z for the week 1 to 26 and a to z for the week 27 to 52).

Packaging

1. Temex label
2. ESD Prevention label
3. Pb free label (if applicable)

