



TMX W357

SAW Bandpass Filter – LMR - RF
Specification (Rev 2)

▣ Features.....	P01
▣ Package Drawing & Pin out.....	P01
▣ Technical Characteristics	P02
▣ Matching Network	P02
▣ Nominal Response.....	P03
▣ Maximum Ratings.....	P04
▣ Marking & Packaging	P04

TMX W357

SAW Bandpass Filter – LMR - RF

Specification (Rev.2)- RF

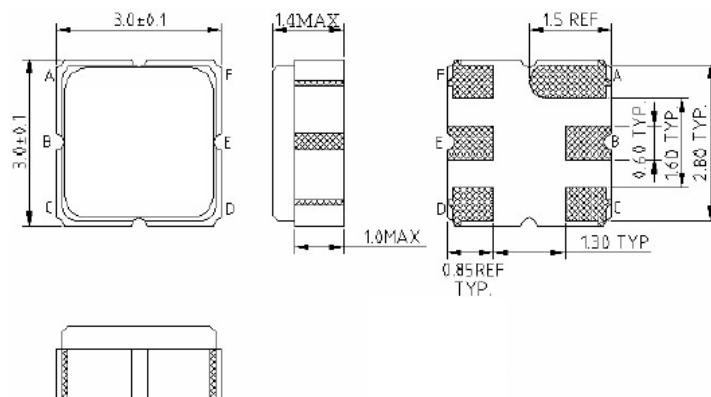
December 05th, 2005

Features

- ❑ RFSAW Filter for Land Mobile Radio
- ❑ 860.5 MHz Center Frequency
- ❑ 19 MHz useable Passband
- ❑ 50 Ohms Single Configuration
- ❑ Ceramic package for Surface Mounted Technology

Package Drawing & Pin out

The product is in conformance with the European RoHs Regulation 2002/95.



Pin Configuration	
Input	B
Output	E
Case ground	A, C, D, F

TMX W357

SAW Bandpass Filter – LMR - RF

Specification (Rev.2)- RF

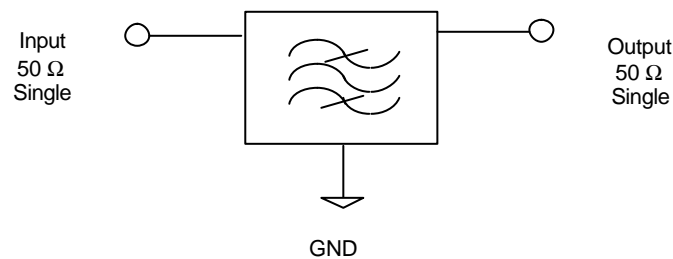
December 05th, 2005

Technical Characteristics

Reference Temperature : +25°C

Electrical Parameters	Unit	Minimum	Typical ⁽¹⁾	Maximum
Source Impedance (single)	Ohms	-	50	-
Load Impedance (single)	Ohms	-	50	-
Center Frequency f_c	MHz	-	860.5	-
Bandwidth at -3dB	MHz	19	-	-
Absolute Attenuation				
DC to 806 MHz	dB	27	54	-
806 MHz to 824.8 MHz	dB	37	54	-
896.6 MHz to 902 MHz	dB	25	31	-
905.825 MHz to 924.825 MHz	dB	27	40	-
960.65 MHz to 979.65 MHz	dB	37	65	-
1070.3 MHz to 1089.3 MHz	dB	47	65	-
1089.3 MHz to 3000 MHz	dB	24	28	-
Insertion Loss within 851 MHz – 870 MHz	dB	-	2.2	3.3
Amplitude Ripple within 851 MHz – 870 MHz	dB	-	0.6	1.5
Group Delay ripple within 851 MHz – 870 MHz	ns	-	12	60
Return Loss within 851 MHz – 870 MHz		9.5	13	-

Matching Network



TMX W357

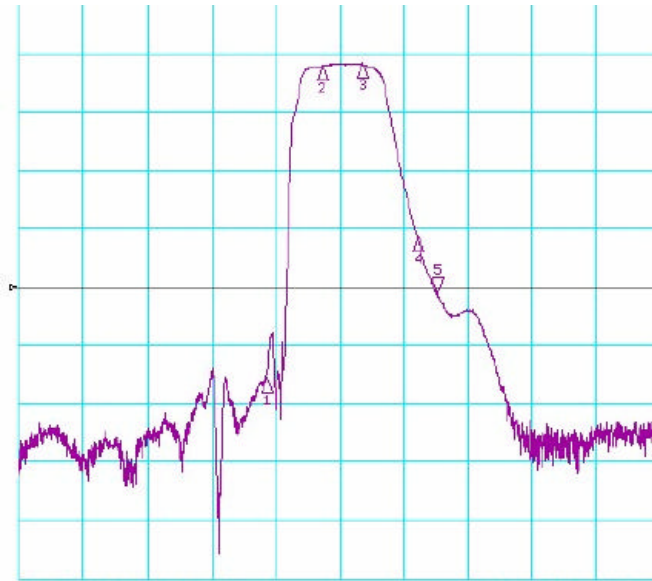
SAW Bandpass Filter – LMR - RF

Specification (Rev.2)- RF

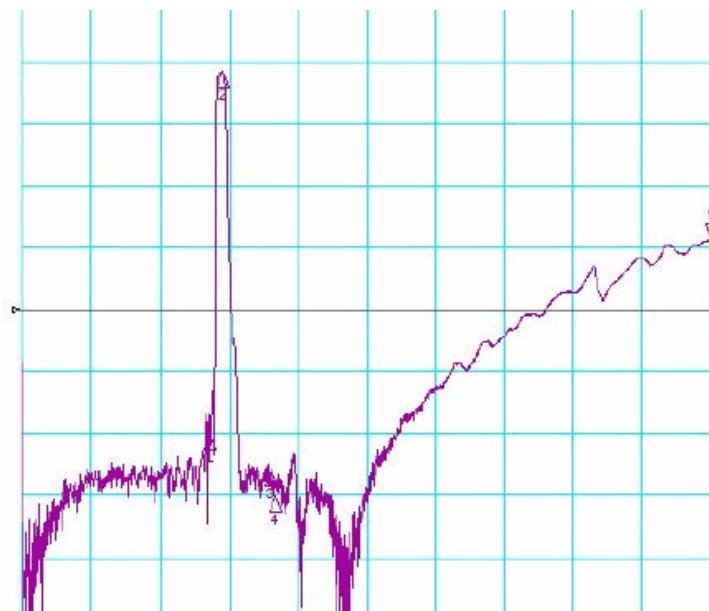
December 05th, 2005

Nominal Frequency Response (Measurements)

Frequency Response



Frequency Response



TMX W357

SAW Bandpass Filter – LMR - RF

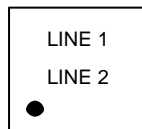
Specification (Rev.2)- RF

December 05th, 2005

Maximum Ratings

Storage Temperature Range	°C	[-40°C ; +85°C]
Operating temperature	°C	[-30°C ; +85°C]
DC voltage	V	3
Input Power	dBm	10

Marking



Line 1: "NNNN" is the reference to Temex Part number with only the last 4 digits

Line 2: RYWWZZ is the date code as:

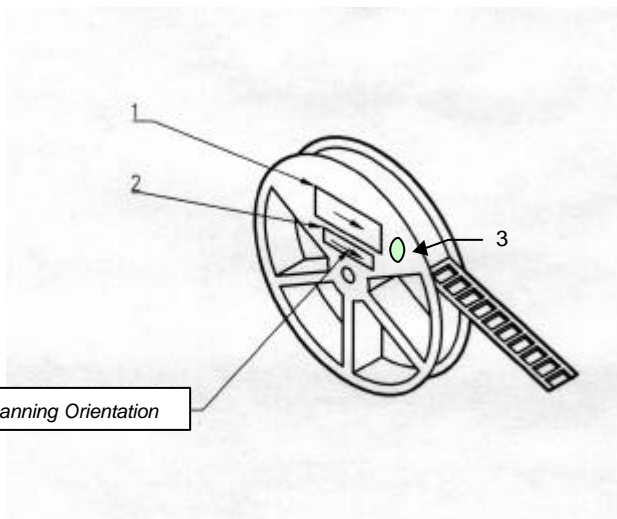
R: Partner identifier.

Y: last digit of the year.

WW: number of week in the year

ZZ: Lot number in the week (from AA to ZZ).

Packaging



- 1 – Temex Label
- 2 – ESD Prevention Label
- 3 – Pb Free Label