

TMX W355

SAW Bandpass Filter – PCN Rx - RF
Specification (Rev 2)

▣ Features.....	P01
▣ Package Drawing & Pin out.....	P01
▣ Technical Characteristics	P02
▣ Matching Network	P02
▣ Nominal Response.....	P03
▣ Maximum Ratings.....	P04
▣ Marking & Packaging	P04

TMX W355

SAW Bandpass Filter – PCN Rx - RF

Specification (Rev.2)- RF

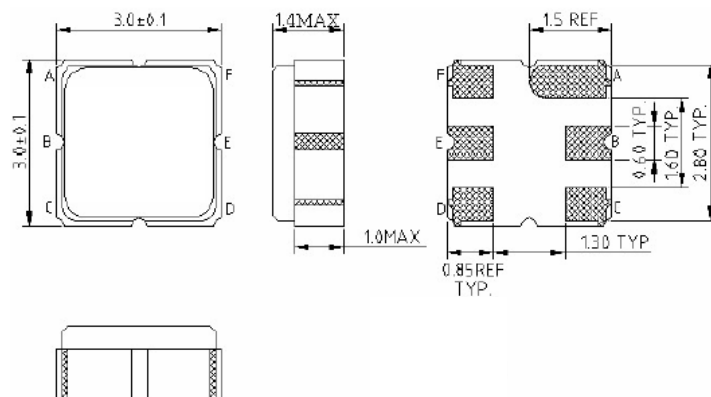
December 05th, 2005

Features

- ❑ Rx SAW Filter for PCN
- ❑ 1747.5 MHz Center Frequency
- ❑ 75 MHz useable Passband
- ❑ 50 Ohms Single Configuration
- ❑ Ceramic package for Surface Mounted Technology

Package Drawing & Pin out

The product is in conformance with the European RoHs Regulation 2002/95.



Pin Configuration	
Input	B
Output	E
Case ground	A, C, D, F

TMX W355

SAW Bandpass Filter – PCN Rx - RF

Specification (Rev.2)- RF

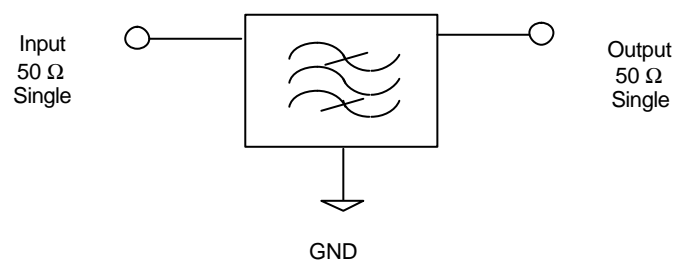
December 05th, 2005

Technical Characteristics

Reference Temperature : +25°C

Electrical Parameters	Unit	Minimum	Typical ⁽¹⁾	Maximum
Source Impedance (single)	Ohms	-	50	-
Load Impedance (single)	Ohms	-	50	-
Center Frequency f_c	MHz	-	1747.5	-
Bandwidth at -3dB	MHz	75	-	-
Absolute Attenuation				
10 MHz to 1670 MHz	dB	15	23	-
1670 MHz to 1683 MHz	dB	6	24	-
1810 MHz to 1880 MHz	dB	6	24	-
1880 MHz to 4500 MHz	dB	15	25	-
4500 MHz to 5000 MHz	dB	10	14	-
Insertion Loss within 1710 MHz – 1785 MHz	dB	-	2.6	4.3
Amplitude ripple within 1710 MHz – 1785 MHz	dB	-	1.6	2.8
Input / Output VSWR within 1710 MHz – 1785 MHz		-	1.8	2.5

Matching Network



TMX W355

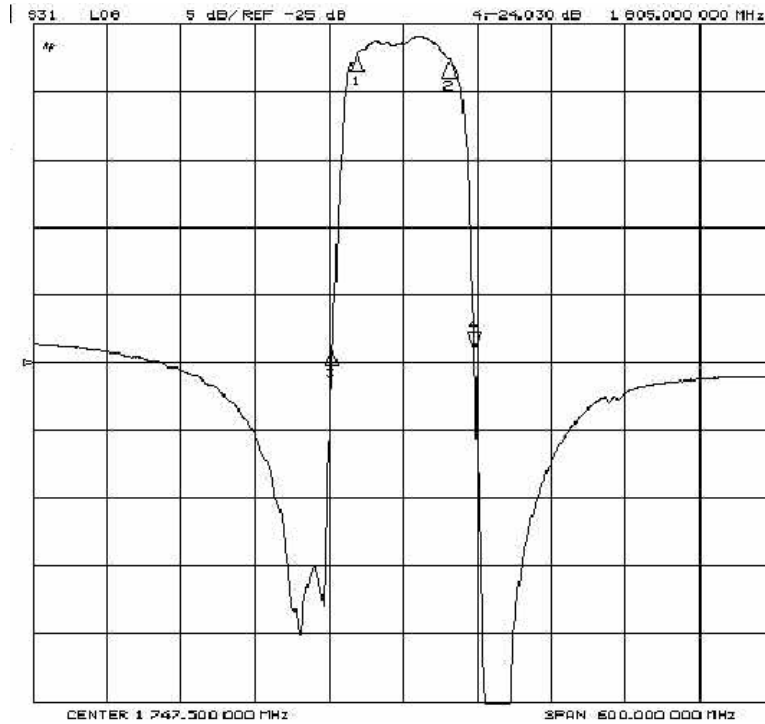
SAW Bandpass Filter – PCN Rx - RF

Specification (Rev.2)- RF

December 05th, 2005

Nominal Frequency Response (Measurements)

Frequency Response



TMX W355

SAW Bandpass Filter – PCN Rx - RF

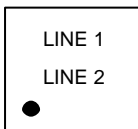
Specification (Rev.2)- RF

December 05th, 2005

Maximum Ratings

Storage Temperature Range	°C	[-40°C ; +85°C]
Operating temperature	°C	[-30°C ; +85°C]
DC voltage	V	0
Input Power	dBm	10

Marking



Line 1: "NNNN" is the reference to Temex Part number with only the last 4 digits

Line 2: RYWWZZ is the date code as:

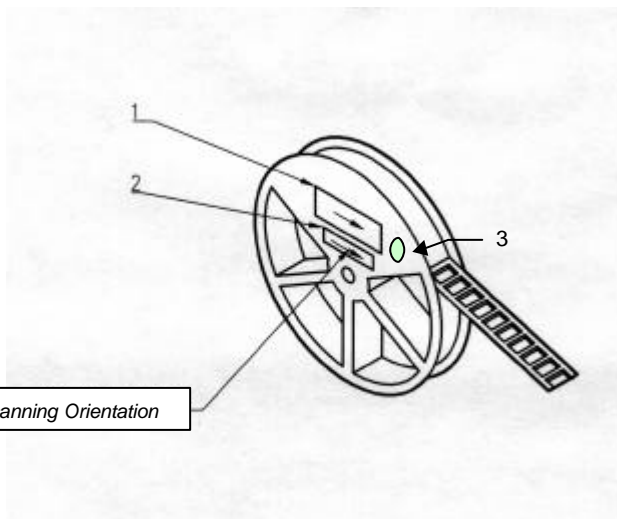
R: Partner identifier.

Y: last digit of the year.

WW: number of week in the year

ZZ: Lot number in the week (from AA to ZZ).

Packaging



- 1 – Temex Label
- 2 – ESD Prevention Label
- 3 – Pb Free Label