



TMX W352

SAW Bandpass Filter – WCDMA Tx - RF
Specification (Rev 1)

▣ Features.....	P01
▣ Package Drawing & Pin out.....	P01
▣ Technical Characteristics	P02
▣ Matching Network	P02
▣ Nominal Response.....	P03
▣ Maximum Ratings.....	P04
▣ Marking & Packaging	P04

TMX W352

SAW Bandpass Filter – WCDMA Tx - RF

Specification (Rev.1)- RF

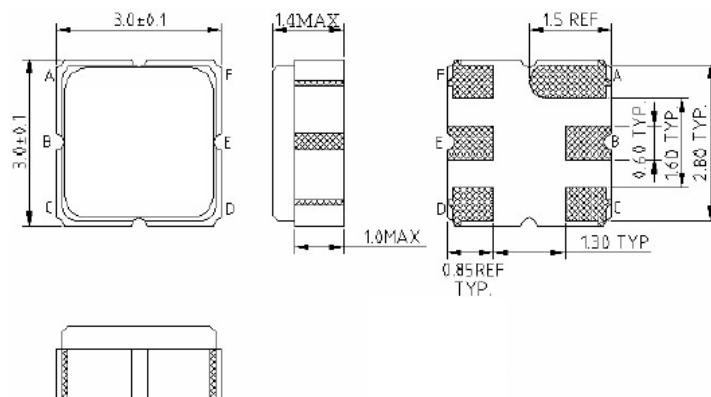
September 25th, 2005

Features

- ❑ Tx SAW Filter for WCDMA
- ❑ 1950 MHz Center Frequency
- ❑ 60 MHz useable Passband
- ❑ 50 Ohms Single Configuration
- ❑ Ceramic package for Surface Mounted Technology

Package Drawing & Pin out

The product is in conformance with the European RoHs Regulation 2002/95.



Pin Configuration	
Input	B
Output	E
Case ground	A, C, D, F

TMX W352

SAW Bandpass Filter – WCDMA Tx - RF

Specification (Rev. 1)- RF

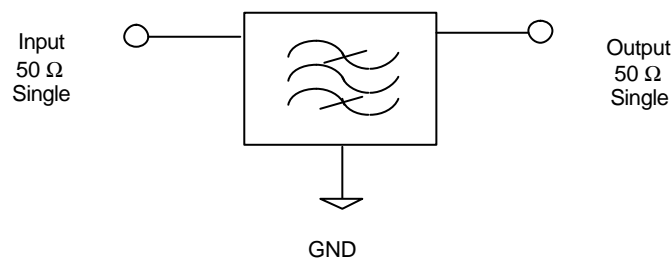
September 25th, 2005

Technical Characteristics

Reference Temperature : +25°C

Electrical Parameters	Unit	Minimum	Typical ⁽¹⁾	Maximum
Source Impedance (single)	Ohms	-	50	-
Load Impedance (single)	Ohms	-	50	-
Center Frequency f_c	MHz	-	1950	-
Bandwidth at -3dB	MHz	60	-	-
Absolute Attenuation				
10 MHz to 1840 MHz	dB	20	32	-
1840 MHz to 1900 MHz	dB	10	21	-
2000 MHz to 2030 MHz	dB	4.5	10	-
2030 MHz to 2060 MHz	dB	20	47	-
2060 MHz to 5000 MHz	dB	22	29	-
Insertion Loss within 1920 MHz – 1980 MHz	dB	-	2.3	4.0
Amplitude ripple within 1920 MHz – 1980 MHz	dB	-	1.4	2.4
Input/Output VSWR within 1920 MHz – 1980 MHz		-	1.7	2.4

Matching Network



TMX W352

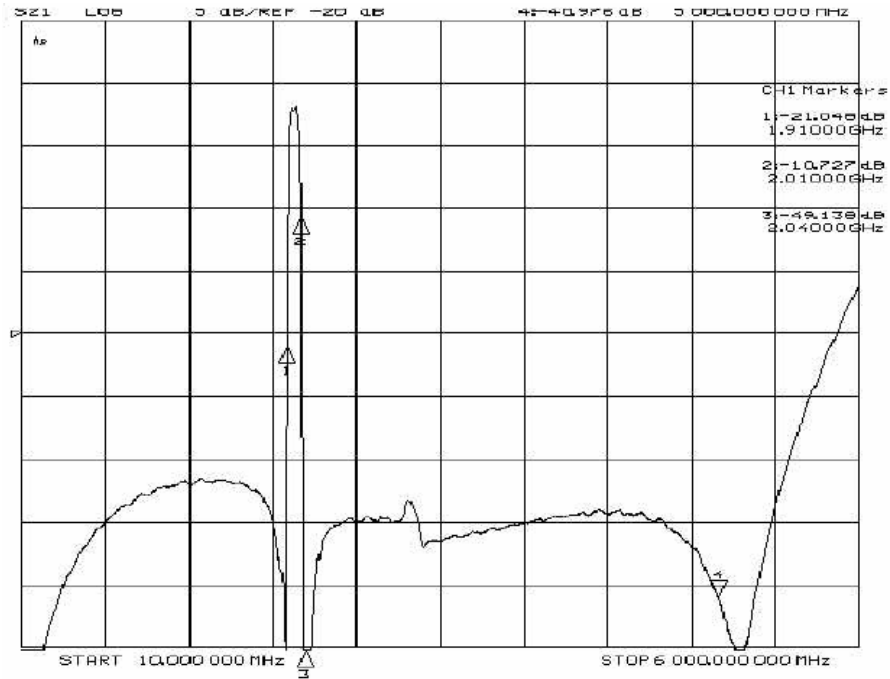
SAW Bandpass Filter – WCDMA Tx - RF

Specification (Rev.1)- RF

September 25th, 2005

Nominal Frequency Response (Measurements)

Frequency Response



TMX W352

SAW Bandpass Filter – WCDMA Tx - RF

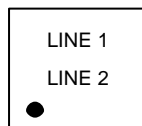
Specification (Rev.1)- RF

September 25th, 2005

Maximum Ratings

Storage Temperature Range	°C	[-40°C ; +85°C]
Operating temperature	°C	[-40°C ; +85°C]
DC voltage	V	0
Input Power	dBm	13

Marking



Line 1: "NNNN" is the reference to Temex Part number with only the last 4 digits

Line 2: RYWWZZ is the date code as:

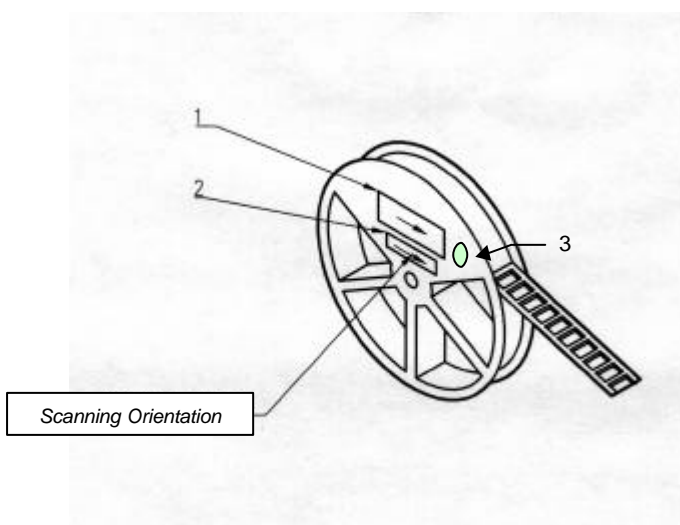
R: Partner identifier.

Y: last digit of the year.

WW: number of week in the year

ZZ: Lot number in the week (from AA to ZZ).

Packaging



- 1 – Temex Label
- 2 – ESD Prevention Label
- 3 – Pb Free Label