

# TMX W349

SAW Bandpass Filter – US PCS Rx - RF  
Specification (Rev 2)

---

- ▣ Features..... P01
- ▣ Package Drawing & Pin out..... P01
- ▣ Technical Characteristics ..... P02
- ▣ Matching Network ..... P02
- ▣ Nominal Response..... P03
- ▣ Maximum Ratings..... P04
- ▣ Marking & Packaging ..... P04

# TMX W349

## SAW Bandpass Filter – US PCS Rx - RF

Specification (Rev.2)- RF

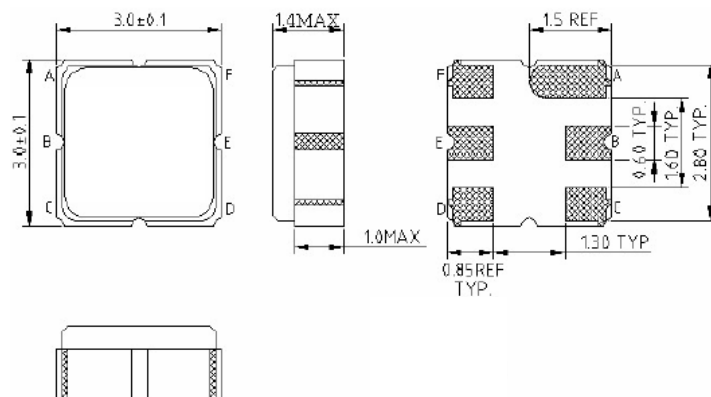
December 05<sup>th</sup>, 2005

### Features

- ❑ Rx SAW Filter for US PCS
- ❑ 1960 MHz Center Frequency
- ❑ 60 MHz useable Passband
- ❑ 50 Ohms Single Configuration
- ❑ Ceramic package for Surface Mounted Technology

### Package Drawing & Pin out

The product is in conformance with the European RoHs Regulation 2002/95.



Pin Configuration	
Input	B
Output	E
Case ground	A, C, D, F

# TMX W349

## SAW Bandpass Filter – US PCS Rx - RF

Specification (Rev.2)- RF

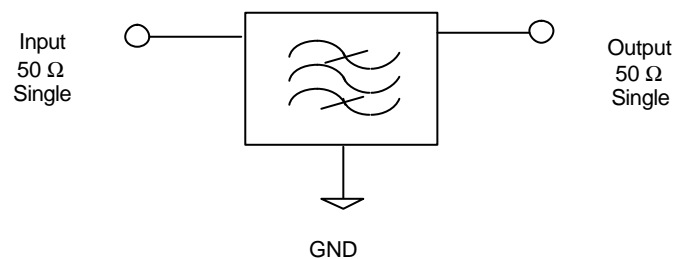
December 05<sup>th</sup>, 2005

### Technical Characteristics

Reference Temperature : +25°C

Electrical Parameters	Unit	Minimum	Typical <sup>(1)</sup>	Maximum
Source Impedance (single)	Ohms	-	50	-
Load Impedance (single)	Ohms	-	50	-
Center Frequency $f_c$	MHz	-	1960	-
Bandwidth at -3dB	MHz	60	-	-
<b>Absolute Attenuation</b>				
10 MHz to 1850 MHz	dB	20	32	-
1850 MHz to 1909.8 MHz	dB	10	21	-
2010 MHz to 2040 MHz	dB	4.5	10	-
2040 MHz to 2070 MHz	dB	20	50	-
2070 MHz to 5000 MHz	dB	22	29	-
Insertion Loss within 1930 MHz – 1960 MHz	dB	-	2.3	4.0
Amplitude ripple within 1930 MHz – 1960 MHz	dB	-	1.4	2.4
Input/Output VSWR within 1930 MHz – 1960 MHz		-	1.7	2.4

### Matching Network



# TMX W349

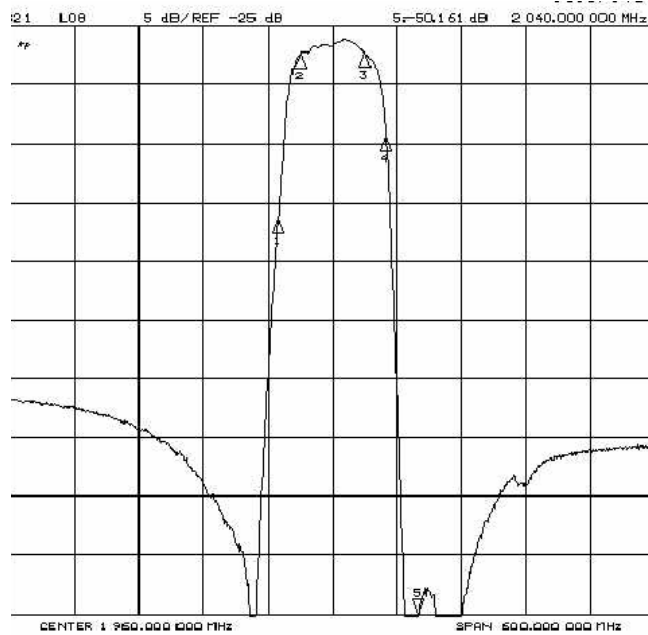
## SAW Bandpass Filter – US PCS Rx - RF

Specification (Rev.2)- RF

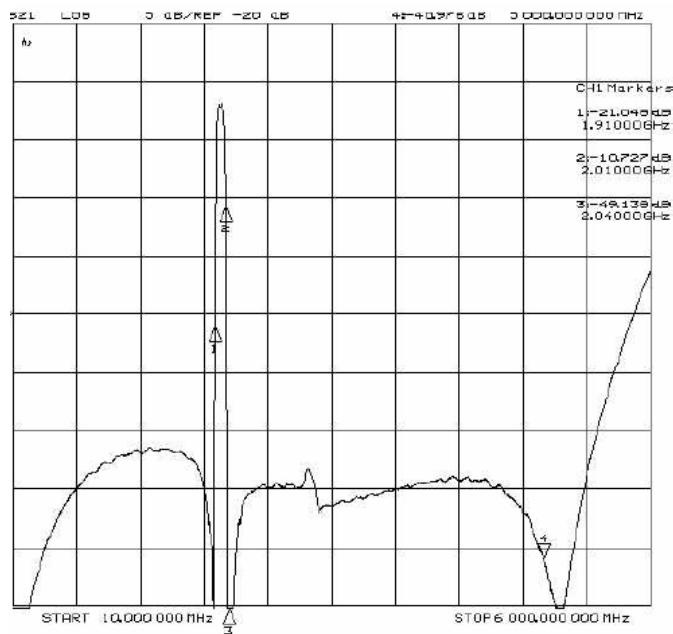
December 05<sup>th</sup>, 2005

**Nominal Frequency Response (Measurements)**

**Frequency Response**



**Frequency Response**



# TMX W349

## SAW Bandpass Filter – US PCS Rx - RF

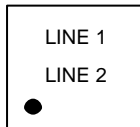
Specification (Rev.2)- RF

December 05<sup>th</sup>, 2005

### Maximum Ratings

Storage Temperature Range	°C	[-40°C ; +85°C]
Operating temperature	°C	[-30°C ; +85°C]
DC voltage	V	0
Input Power	dBm	10

### Marking



Line 1: "NNNN" is the reference to Temex Part number with only the last 4 digits

Line 2: RYWWZZ is the date code as:

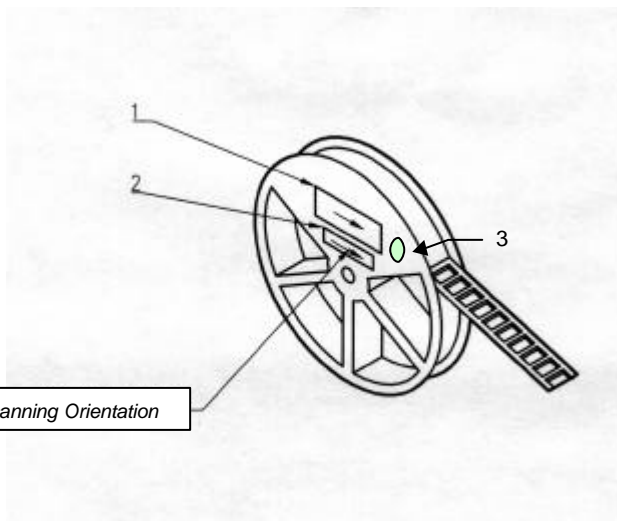
R: Partner identifier.

Y: last digit of the year.

WW: number of week in the year

ZZ: Lot number in the week (from AA to ZZ).

### Packaging



- 1 – Temex Label
- 2 – ESD Prevention Label
- 3 – Pb Free Label