

TMX W348

SAW Bandpass Filter – US PCS Tx - RF
Specification (Rev 1)

▣ Features.....	P01
▣ Package Drawing & Pin out.....	P01
▣ Technical Characteristics	P02
▣ Matching Network	P02
▣ Nominal Response.....	P03
▣ Maximum Ratings.....	P04
▣ Marking & Packaging	P04

TMX W348

SAW Bandpass Filter – US PCS Tx - RF

Specification (Rev.1)- RF

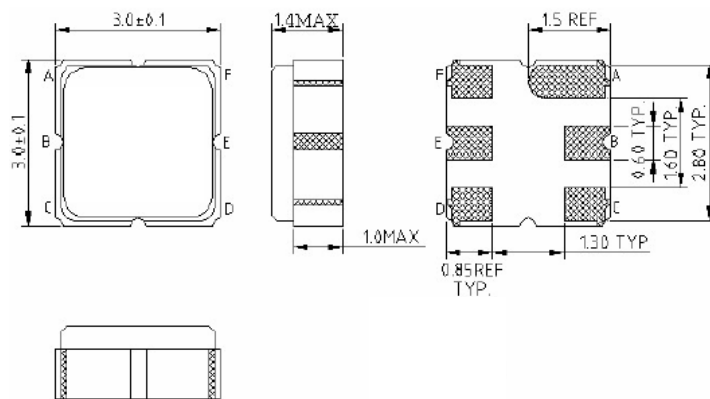
September 25th, 2005

Features

- ❑ Tx SAW Filter for US PCS
- ❑ 1880 MHz Center Frequency
- ❑ 60 MHz useable Passband
- ❑ 50 Ohms Single Configuration
- ❑ Ceramic package for Surface Mounted Technology

Package Drawing & Pin out

The product is in conformance with the European RoHs Regulation 2002/95.



Pin Configuration	
Input	B
Output	E
Case ground	A, C, D, F

TMX W348

SAW Bandpass Filter – US PCS Tx - RF

Specification (Rev.1)- RF

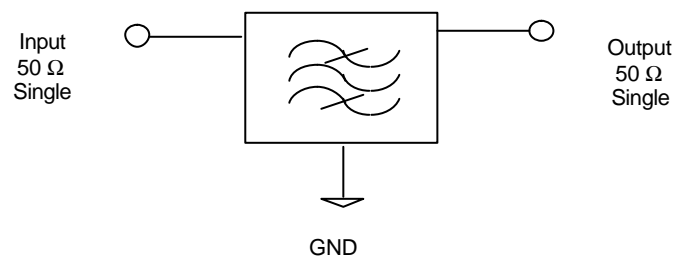
September 25th, 2005

Technical Characteristics

Reference Temperature : +25°C

Electrical Parameters	Unit	Minimum	Typical ⁽¹⁾	Maximum
Source Impedance (single)	Ohms	-	50	-
Load Impedance (single)	Ohms	-	50	-
Center Frequency f_c	MHz	-	1880	-
Bandwidth at -3dB	MHz	60	-	-
Absolute Attenuation				
10 MHz to 1660 MHz	dB	20	32	-
1660 MHz to 1721 MHz	dB	30	35	-
1721 MHz to 1800 MHz	dB	20	37	-
1930 MHz to 1990 MHz	dB	7	19	-
2000 MHz to 2040 MHz	dB	25	37	-
2040 MHz to 2480 MHz	dB	31	38	-
3700 MHz to 3820 MHz	dB	25	35	-
Insertion Loss within 1850 MHz – 1910 MHz	dB	-	2.4	4.0
Amplitude ripple within 1850 MHz – 1910 MHz	dB	-	1.2	2.5
Input/Output VSWR within 1850 MHz – 1910 MHz	dB	7.4	13	-

Matching Network



TMX W348

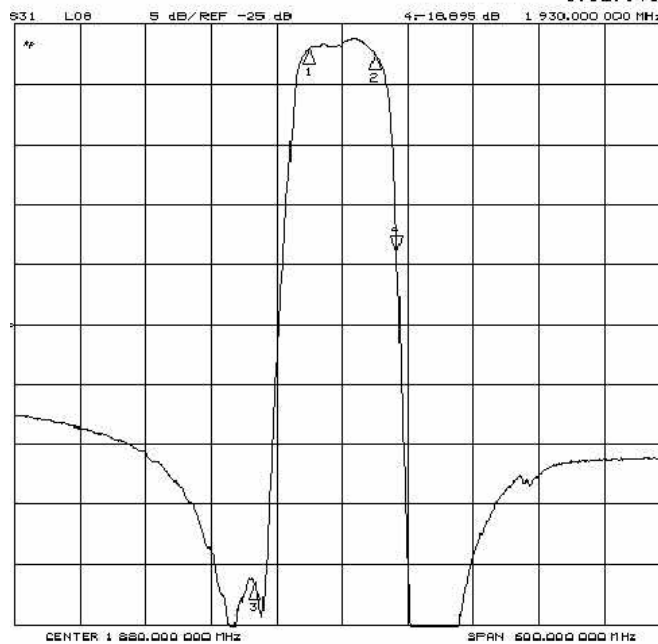
SAW Bandpass Filter – US PCS Tx - RF

Specification (Rev.1)- RF

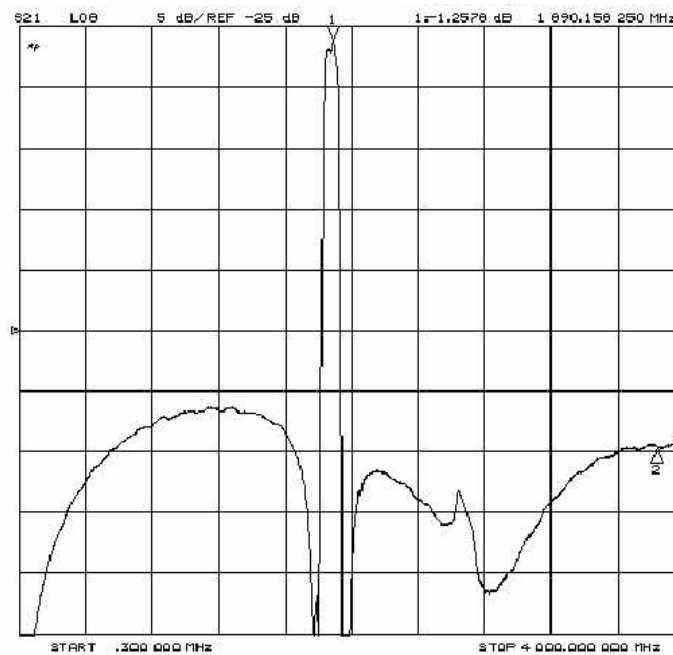
September 25th, 2005

Nominal Frequency Response (Measurements)

Frequency Response



Frequency Response



TMX W348

SAW Bandpass Filter – US PCS Tx - RF

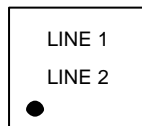
Specification (Rev.1)- RF

September 25th, 2005

Maximum Ratings

Storage Temperature Range	°C	[-40°C ; +85°C]
Operating temperature	°C	[-30°C ; +85°C]
DC voltage	V	5
Input Power	dBm	10

Marking



Line 1: "NNNN" is the reference to Temex Part number with only the last 4 digits

Line 2: RYWWZZ is the date code as:

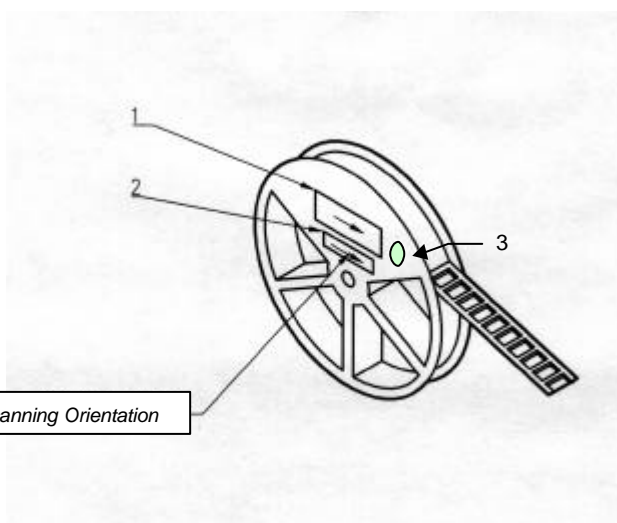
R: Partner identifier.

Y: last digit of the year.

WW: number of week in the year

ZZ: Lot number in the week (from AA to ZZ).

Packaging



Scanning Orientation

- 1 – Temex Label
- 2 – ESD Prevention Label
- 3 – Pb Free Label