



TMX W347

SAW Bandpass Filter – GPS - RF
Specification (Rev 1)

▣ Features.....	P01
▣ Package Drawing & Pin out.....	P01
▣ Technical Characteristics	P02
▣ Matching Network	P02
▣ Nominal Response.....	P03
▣ Maximum Ratings.....	P04
▣ Marking & Packaging	P04

TMX W347

SAW Bandpass Filter – GPS - RF

Specification (Rev.1)- RF

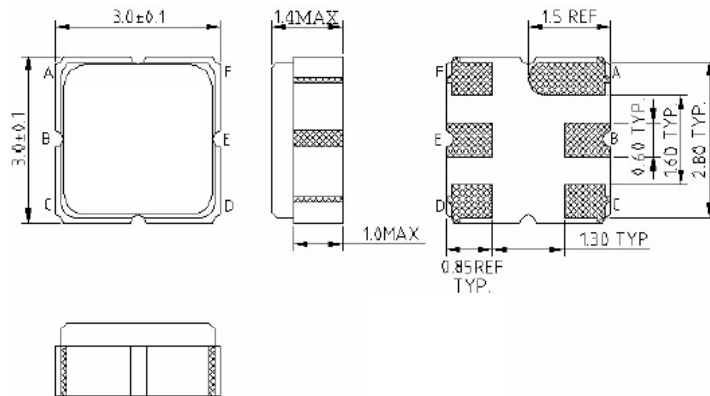
September 25th, 2005

Features

- ❑ SAW Filter for GPS
- ❑ 1575.42 MHz Center Frequency
- ❑ 2 MHz useable Passband
- ❑ 50 Ohms Single Configuration
- ❑ Ceramic package for Surface Mounted Technology

Package Drawing & Pin out

The product is in conformance with the European RoHs Regulation 2002/95.



Pin Configuration	
Input	B
Output	E
Case ground	A, C, D, F

TMX W347

SAW Bandpass Filter – GPS - RF

Specification (Rev.1)- RF

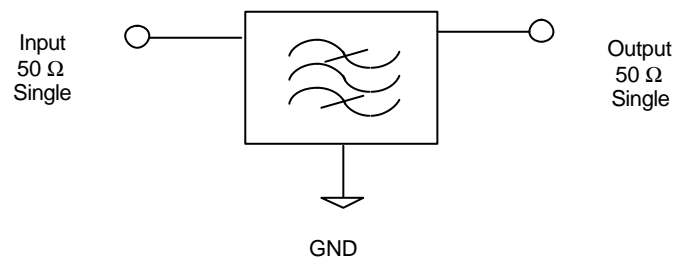
September 25th, 2005

Technical Characteristics

Reference Temperature : +25°C

Electrical Parameters	Unit	Minimum	Typical ⁽¹⁾	Maximum
Source Impedance (single)	Ohms	-	50	-
Load Impedance (single)	Ohms	-	50	-
Center Frequency f_c	MHz	-	1575.42	-
Bandwidth at -3dB	MHz	2	-	-
Absolute Attenuation				
at 1475.42 MHz	dB	35	42	-
at 1535.42 MHz	dB	30	44	-
at 1615.42 MHz	dB	30	55	-
at 1675.42 MHz	dB	40	48	-
Insertion Loss within 1574.42 MHz – 1576.42 MHz	dB	-	2.6	3.5
Amplitude ripple within 1574.42MHz–1576.42MHz	dB	-	0.1	1.5
Input/Output VSWR within 1574.42MHz–1576.42MHz		-	1.5	2.5

Matching Network



TMX W347

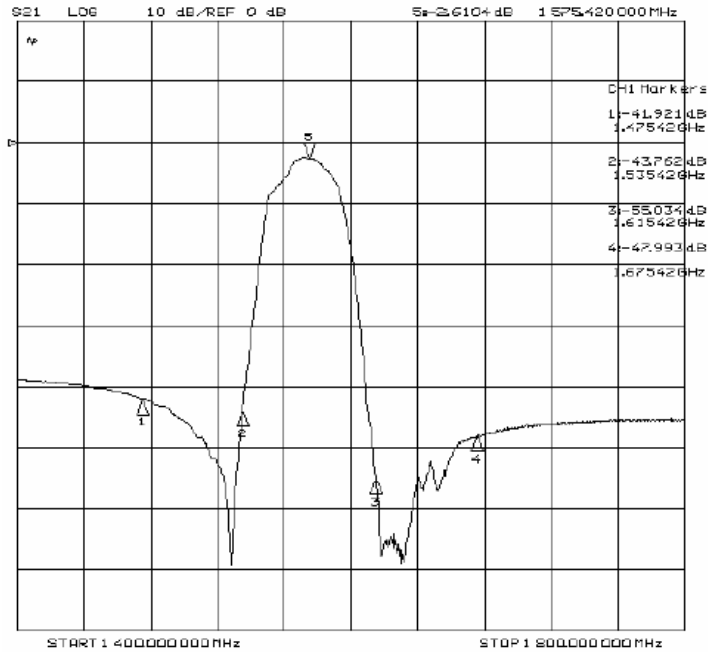
SAW Bandpass Filter – GPS - RF

Specification (Rev.1)- RF

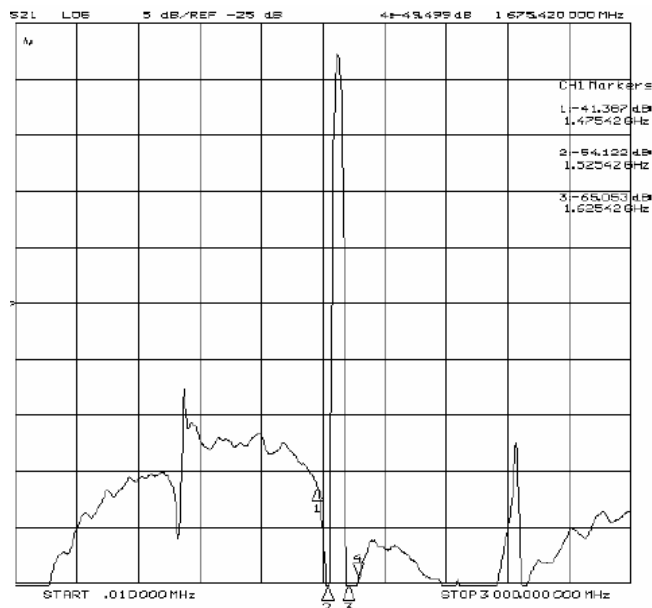
September 25th, 2005

Nominal Frequency Response (Measurements)

Frequency Response



Frequency Response



TMX W347

SAW Bandpass Filter – GPS - RF

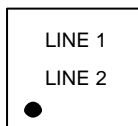
Specification (Rev.1)- RF

September 25th, 2005

Maximum Ratings

Storage Temperature Range	°C	[-50°C ; +100°C]
Operating temperature	°C	[-40°C ; +85°C]
DC voltage	V	5
Input Power	dBm	10

Marking



Line 1: "NNNN" is the reference to Temex Part number with only the last 4 digits

Line 2: RYWWZZ is the date code as:

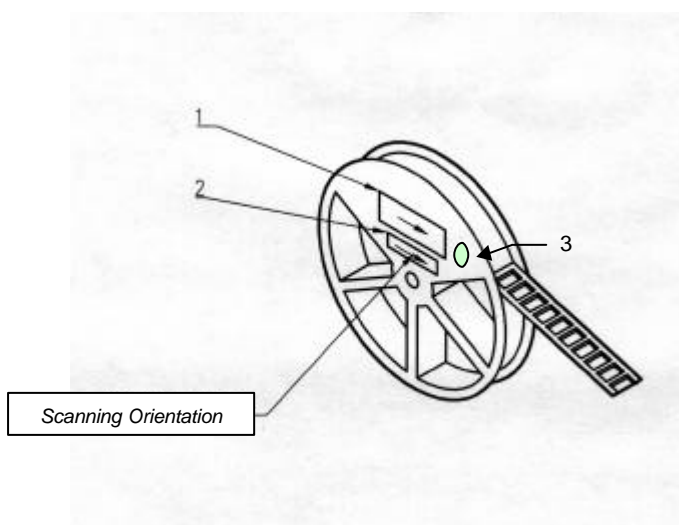
R: Partner identifier.

Y: last digit of the year.

WW: number of week in the year

ZZ: Lot number in the week (from AA to ZZ).

Packaging



- 1 – Temex Label
- 2 – ESD Prevention Label
- 3 – Pb Free Label