



TMX W346

SAW Bandpass Filter – Satellite Receiver – IF
Specification (Rev 1)

| | |
|-----------------------------------|-----|
| ▣ Features..... | P01 |
| ▣ Package Drawing & Pin out..... | P01 |
| ▣ Technical Characteristics | P02 |
| ▣ Matching Network..... | P02 |
| ▣ Nominal Response..... | P03 |
| ▣ Maximum Ratings..... | P04 |
| ▣ Marking & Packaging | P04 |


TMX W346

SAW Bandpass Filter – Satellite Receiver – IF

Specification (Rev 1)

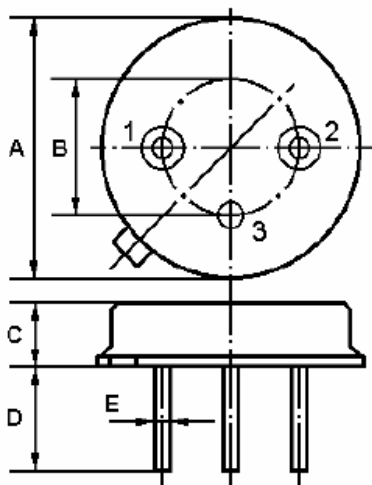
September 05th, 2005

Features

- IF Filter
- Constant Group Delay
- 8 MHz useable Passband
- 50 W Single Configuration
- TO39 Package
- 

Package Drawing & Pin out

The product is in conformance with the European RoHs Regulation 2002/95.



Dimensions (unit: mm)

| | |
|---|------------|
| A | 9.35±0.1 |
| B | 5.08±0.1 |
| C | 3.40±0.1 |
| D | 3.00±0.2 |
| E | ? 0.45±0.2 |

Pin Configuration

| | |
|-------------|--------|
| Input | 1 or 2 |
| Output | 2 or 1 |
| Case ground | 3 |

TMX W346

SAW Bandpass Filter – Satellite Receiver – IF

Specification (Rev 1)

September 05th, 2005

Technical Characteristics

Reference Temperature : +25°C

| Electrical Parameters | Unit | Minimum | Typical ⁽¹⁾ | Maximum |
|--|-------------------|---------|------------------------|---------|
| Source Impedance (single) | Ω | - | 50 ⁽²⁾ | - |
| Load Impedance (single) | Ω | - | 50 ⁽²⁾ | - |
| Center Frequency f_0 | MHz | 478.5 | 479.5 | 480.5 |
| Bandwidth at -3 dB | MHz | - | 8 | - |
| Relative attenuation | | | | |
| At 475.5 MHz | dB | - | 3.0 | 5.4 |
| At 483.5 MHz | dB | - | 2.6 | 5.3 |
| From 409.5 MHz to 464.5 MHz | dB | 37 | 45 | - |
| From 491 MHz to 498.5 MHz | dB | 34 | 41 | - |
| From 498.5 MHz to 549.5 MHz | dB | 38 | 47 | - |
| Insertion Loss at 479.5 MHz | dB | - | 21.5 | 23.5 |
| Amplitude Ripple in $f_0 \pm 2.0$ MHz ⁽³⁾ | dB _{p-p} | - | 0.7 | 1.2 |
| Group Delay Ripple in $f_0 \pm 4.0$ MHz | ns _{p-p} | - | 13 | 18 |
| Reflected Wave Signal Suppression 0.19μs...2.0μs after main pulse | dB | 40 | 46 | - |
| Temperature coefficient of frequency | ppm/K | - | -86 | - |

Notes :

- (1) Typical values are nominal performances at room temperature.
- (2) No external matching network is required.
- (3) The amplitude variation is defined as the maximum level – minimum level over the given bandwidth.

TMX W346

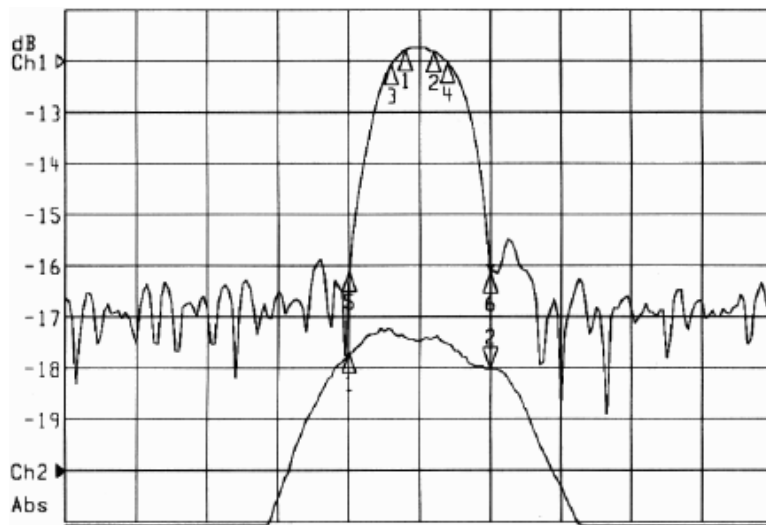
SAW Bandpass Filter – Satellite Receiver – IF

Specification (Rev 1)

September 05th, 2005

Nominal Frequency Response (Measurements)

Frequency Response
(10 MHz/div & 10 dB/div - 2 MHz/div & 1 dB/div)



TMX W346

SAW Bandpass Filter – Satellite Receiver – IF

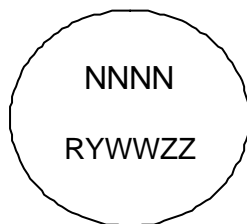
Specification (Rev 1)

September 05th, 2005

Maximum Ratings

| | | |
|---------------------------------|----|-----------------|
| Operating Temperature Range | °C | [-25°C ; +85°C] |
| Storage Temperature Range | °C | [-40°C ; +85°C] |
| DC voltage between any two pins | V | 0 |
| AC voltage between any two pins | V | 5 |

Marking



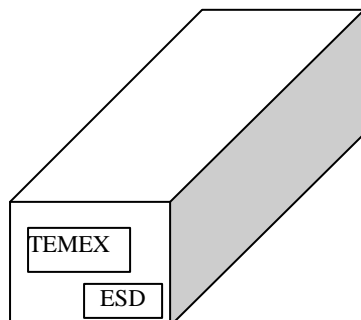
"NNNN" is the reference to Temex Part number

"RYWWZZ" is the date code as :

- R : supplier identifier
- Y : last digit of the year
- WW : number of week in the year
- ZZ : Lot number in the week

Packaging

The filters are placed in tube (50 filters per tube). Those tubes are grouped in order to make 500 parts block. Orientation is homogenous in a group of 500 parts.



The outside box is used (see picture above) for the shipment.