

TMX W345

SAW Bandpass Filter – Satellite Receiver – IF
Specification (Rev 1)

▣ Features.....	P01
▣ Package Drawing & Pin out.....	P01
▣ Technical Characteristics	P02
▣ Matching Network.....	P02
▣ Nominal Response.....	P03
▣ Maximum Ratings.....	P04
▣ Marking & Packaging	P04


TMX W345

SAW Bandpass Filter – Satellite Receiver – IF

Specification (Rev 1)

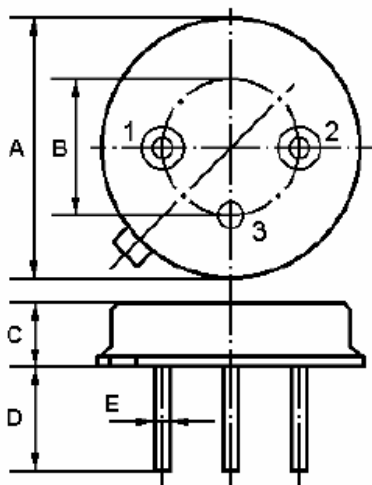
September 05th, 2005

Features

- IF Filter
- Constant Group Delay
- 36.2 MHz useable Passband
- 50 W Single Configuration
- TO39 Package
- 

Package Drawing & Pin out

The product is in conformance with the European RoHs Regulation 2002/95.



Dimensions (unit: mm)

A	9.35±0.1
B	5.08±0.1
C	3.40±0.1
D	3.00±0.2
E	? 0.45±0.2

Pin Configuration

Input	1 or 2
Output	2 or 1
Case ground	3

TMX W345

SAW Bandpass Filter – Satellite Receiver – IF

Specification (Rev 1)

September 05th, 2005

Technical Characteristics

Reference Temperature : +25°C

Electrical Parameters	Unit	Minimum	Typical ⁽¹⁾	Maximum
Source Impedance (single)	Ω	-	50 ⁽²⁾	-
Load Impedance (single)	Ω	-	50 ⁽²⁾	-
Center Frequency f_0	MHz	479	480	481
Bandwidth at -3 dB	MHz	-	36.2	-
Relative attenuation				
At 462 MHz	dB	-	3.1	4.2
At 498 MHz	dB	-	2.9	4.2
From 430 MHz to 450 MHz	dB	36	42	-
From 510 MHz to 530 MHz	dB	36	43	-
Insertion Loss at 480 MHz	dB	-	21.0	22.5
Amplitude Ripple in $f_0 \pm 13.0$ MHz ⁽³⁾	dB _{p-p}	-	0.5	1.0
Amplitude tilt in $f_0 \pm 13.0$ MHz	dB/MHz	-	0.02	-
Group Delay at f_0	ns	-	274	-
Group Delay Ripple in $f_0 \pm 13.5$ MHz	ns _{p-p}	-	2.0	3.0
Reflected Wave Signal Suppression 0.1μs...2.0μs after main pulse	dB	40	48	-
Temperature coefficient of frequency	ppm/K	-	-86	-

Notes :

- (1) Typical values are nominal performances at room temperature.
- (2) No external matching network is required.
- (3) The amplitude variation is defined as the maximum level – minimum level over the given bandwidth.

TMX W345

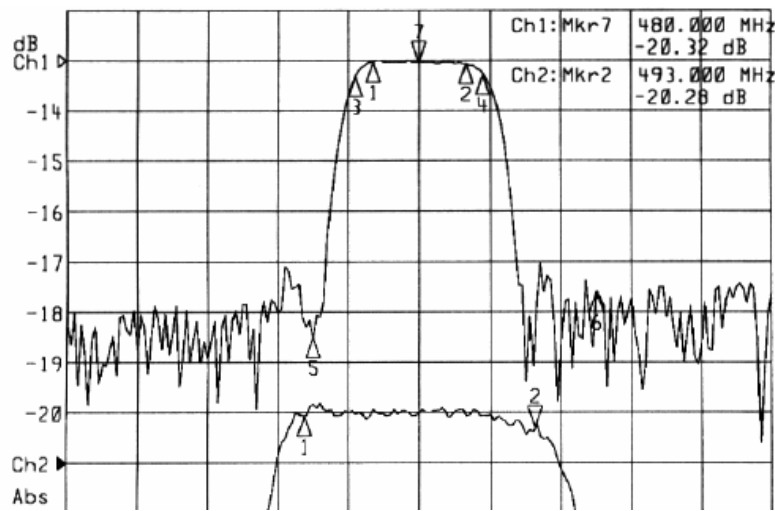
SAW Bandpass Filter – Satellite Receiver – IF

Specification (Rev 1)

September 05th, 2005

Nominal Frequency Response (Measurements)

Frequency Response
(20 MHz/div & 10 dB/div - 8 MHz/div & 1 dB/div)



TMX W345

SAW Bandpass Filter – Satellite Receiver – IF

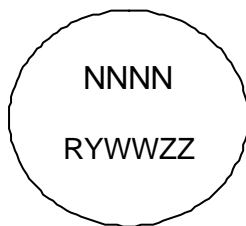
Specification (Rev 1)

September 05th, 2005

Maximum Ratings

Operating Temperature Range	°C	[-25°C ; +85°C]
Storage Temperature Range	°C	[-40°C ; +85°C]
DC voltage between any two pins	V	0
AC voltage between any two pins	V	5

Marking



"NNNN" is the reference to Temex Part number

"RYWWZZ" is the date code as :

R : supplier identifier

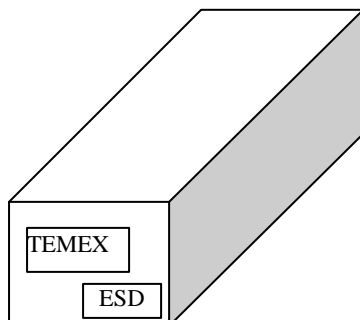
Y : last digit of the year

WW : number of week in the year

ZZ : Lot number in the week

Packaging

The filters are placed in tube (50 filters per tube). Those tubes are grouped in order to make 500 parts block. Orientation is homogenous in a group of 500 parts.



The outside box is used (see picture above) for the shipment.