



# TMX W310

SAW Bandpass Filter – WCDMA - RF  
Specification (Rev 2)

---

▣ Features.....	P01
▣ Package Drawing & Pin out.....	P01
▣ Technical Characteristics .....	P02
▣ Matching Network .....	P02
▣ Nominal Response.....	P03
▣ Maximum Ratings.....	P04
▣ Marking & Packaging .....	P04

# TMX W310

## SAW Bandpass Filter – WCDMA - RF

Specification (Rev.2)- RF

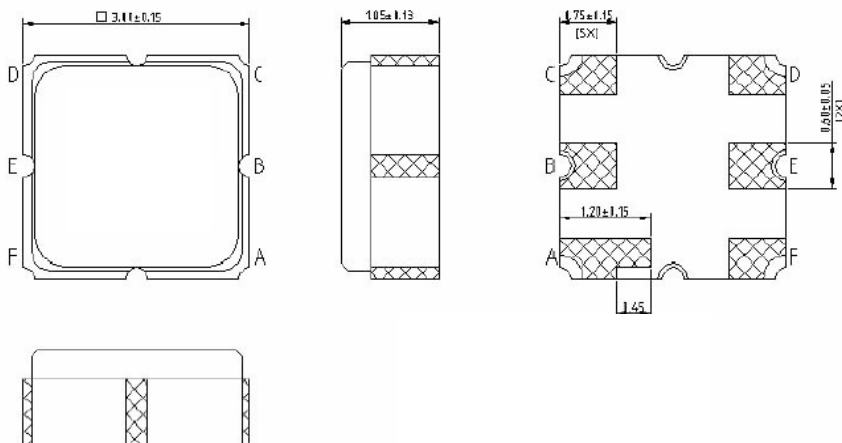
September 25<sup>th</sup>, 2006

### Features

- ❑ Rx SAW Filter for WCDMA
- ❑ 2140 MHz Center Frequency
- ❑ 60 MHz useable Passband
- ❑ 50 Ohms Single Configuration
- ❑ Ceramic package for Surface Mounted Technology

### Package Drawing & Pin out

The product is in conformance with the European RoHs Regulation 2002/95.



#### Pin Configuration

Input	B
Output	E
Case ground	A, C, D, F

# TMX W310

## SAW Bandpass Filter – WCDMA - RF

Specification (Rev.2)- RF

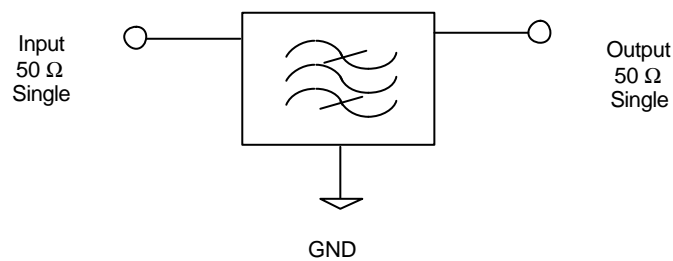
September 25<sup>th</sup>, 2006

### Technical Characteristics

Reference Temperature : +25°C

Electrical Parameters	Unit	Minimum	Typical <sup>(1)</sup>	Maximum
Source Impedance (single ended)	$\Omega$	-	50 <sup>(2)</sup>	-
Load Impedance (single ended)	$\Omega$	-	50 <sup>(2)</sup>	-
Center Frequency $f_0$	MHz	-	2140	-
<b>Absolute Attenuation</b>				
DC to 500 MHz	dB	21	33	-
500 MHz to 1900 MHz	dB	20	28	-
1900 MHz to 2050 MHz	dB	25	30	-
2215 MHz to 2300 MHz	dB	20	32	-
2300 MHz to 4500 MHz	dB	25	32	-
Insertion Loss within 2110 MHz ~ 2170 MHz	dB	-	2.1	3.5
VSWR within 2110 MHz ~ 2170 MHz		-	1.9	2.2
Ripple within 2110 MHz ~ 2170 MHz	dB	-	0.6	2.0

### Matching Network



# TMX W310

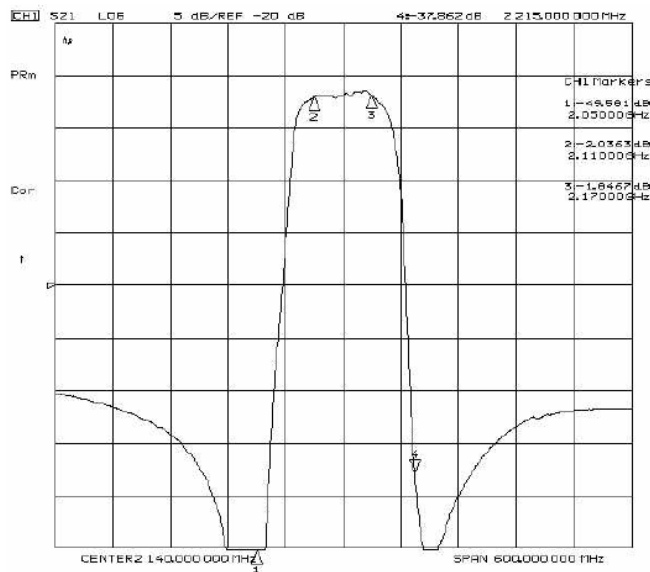
## SAW Bandpass Filter – WCDMA - RF

Specification (Rev.2)- RF

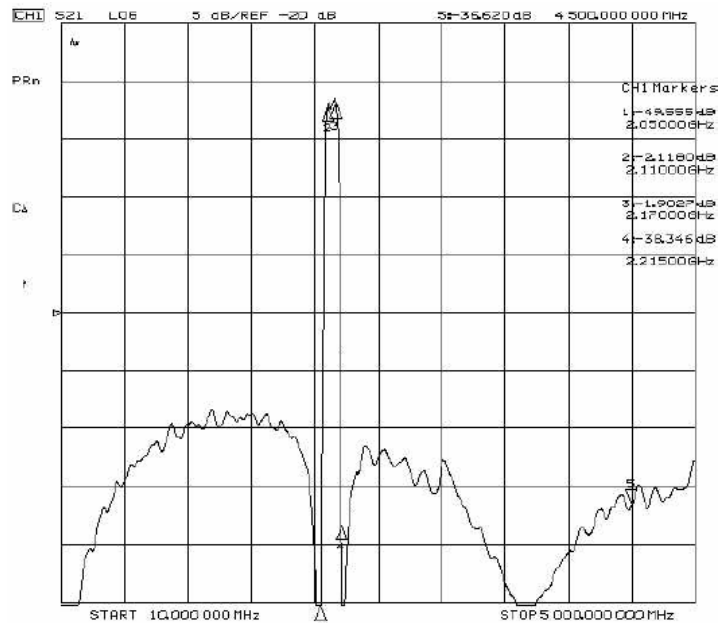
September 25<sup>th</sup>, 2006

**Nominal Frequency Response (Measurements)**

Frequency Response



Frequency Response



# TMX W310

## SAW Bandpass Filter – WCDMA - RF

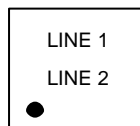
Specification (Rev.2)- RF

September 25<sup>th</sup>, 2006

### Maximum Ratings

Storage Temperature Range	°C	[-40°C ; +85°C]
Operating temperature	°C	[-30°C ; +80°C]
DC permissive Voltage	V	0
Maximum Input Power	dBm	13

### Marking



Line 1: "NNNN" is the reference to Temex Part number with only the last 4 digits

Line 2: RYWWZZ is the date code as:

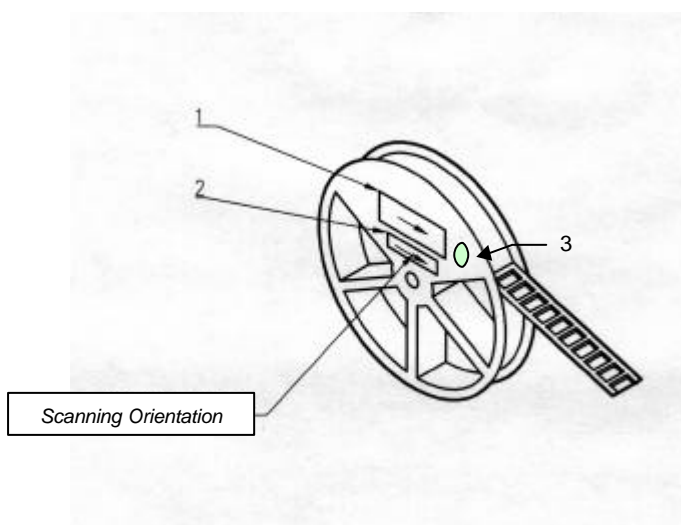
R: Partner identifier.

Y: last digit of the year.

WW: number of week in the year

ZZ: Lot number in the week (from AA to ZZ).

### Packaging



- 1 – Temex Label
- 2 – ESD Prevention Label
- 3 – Pb Free Label