

TMX FT02

SAW Filter for GPS
Preliminary Specification (Rev 1)

▣ Features	P01
▣ Package drawing & Pin out	P01
▣ Technical characteristics	P02
▣ Measurement circuit	P02
▣ Frequency characteristics / Transfer functions.....	P03
▣ Frequency characteristics / Reflection functions	P04
▣ Maximum ratings	P05
▣ Marking	P05
▣ Recommended reflow soldering profile	P05
▣ Tape dimensions and packaging	P06

TMX FT02

SAW Filter for GPS

Preliminary Specification (Rev 1)

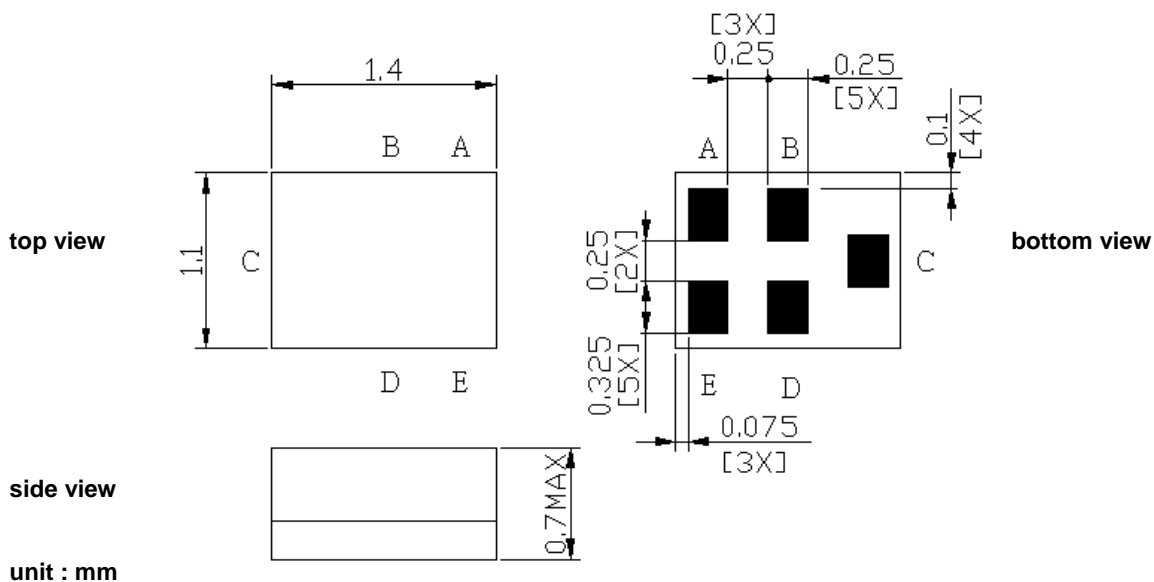
July 26th, 2012

Features

- ❑ GPS SAW Filter
- ❑ 1575.42 MHz Center Frequency
- ❑ Ceramic package for Surface Mounted Technology
- ❑ RoHS Compliant

Package drawing & Pin out

The product is in conformance with the European RoHs Regulation 2002/95.



Pin configuration	
C	Input
A	Output
B,D,E	Ground

TMX FT02

SAW Filter for GPS

Preliminary Specification (Rev 1)

July 26th, 2012

Technical characteristics

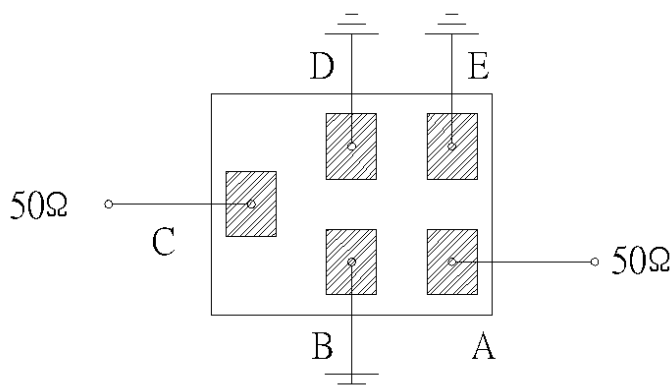
Reference Temperature : +25°C

Electrical Parameters	Unit	Minimum	Typical ⁽¹⁾	Maximum
Center Frequency Fo	MHz		1575.42	
Insertion Loss at IL_{min}	dB	-	0.9.	1.5
Amplitude ripple (1574.42~1576.42 MHz)	dB	-	0.1	0.75
Relative Attenuation (Relative to IL_{min})				
D.C~1450 MHz	dB	35	38	-
1450~1520 MHz	dB	30	45	-
1625~1640 MHz	dB	45	48	-
1640~1805 MHz	dB	38	40	-
1805~1910 MHz	dB	38	40	-
1910~2000 MHz	dB	38	43	-
2000~4000 MHz	dB	30	45	-
4000~6000 MHz	dB	20	22	-
VSWR (1574.42~1576.42 MHz)	dB		1.15	1.6
Source Impedance (Single ended)	Ohms		50	
Load Impedance (Single ended)	Ohms		50	
Package type & size				
Length x Width	mm		1.4x1.1	
Height	mm			0.7
Pin Out				
Input	C	Output	A	
Case Ground	B, D, E	To be grounded	B, D, E	

Note :

(1) Typical values are nominal performances at room temperature

Measurement circuit



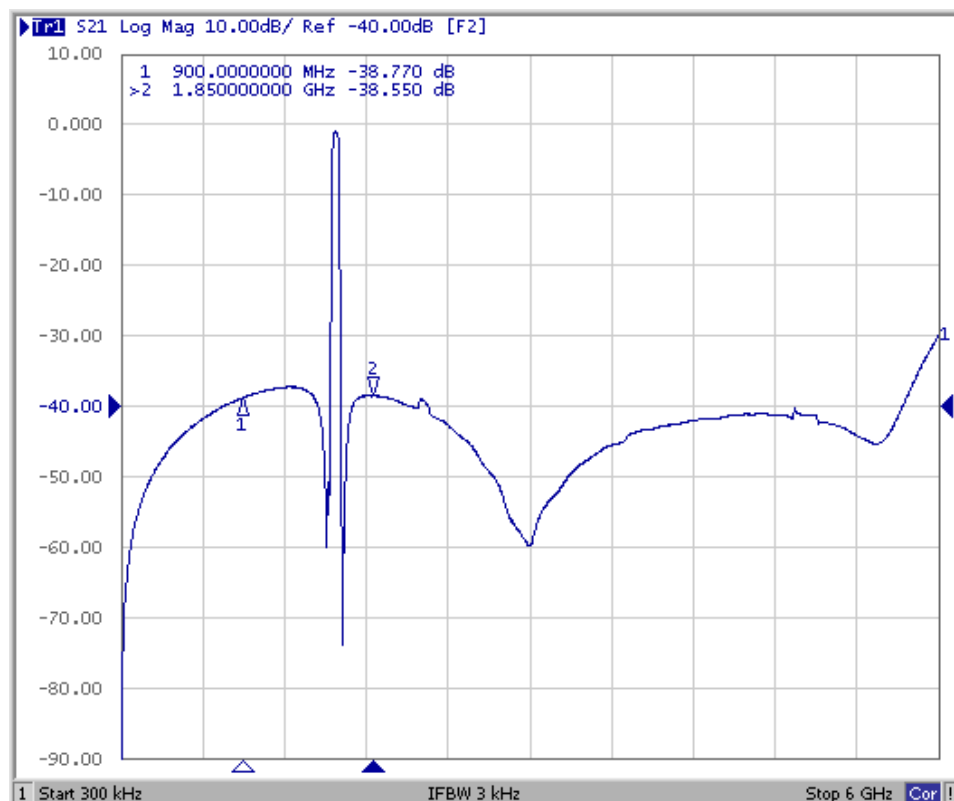
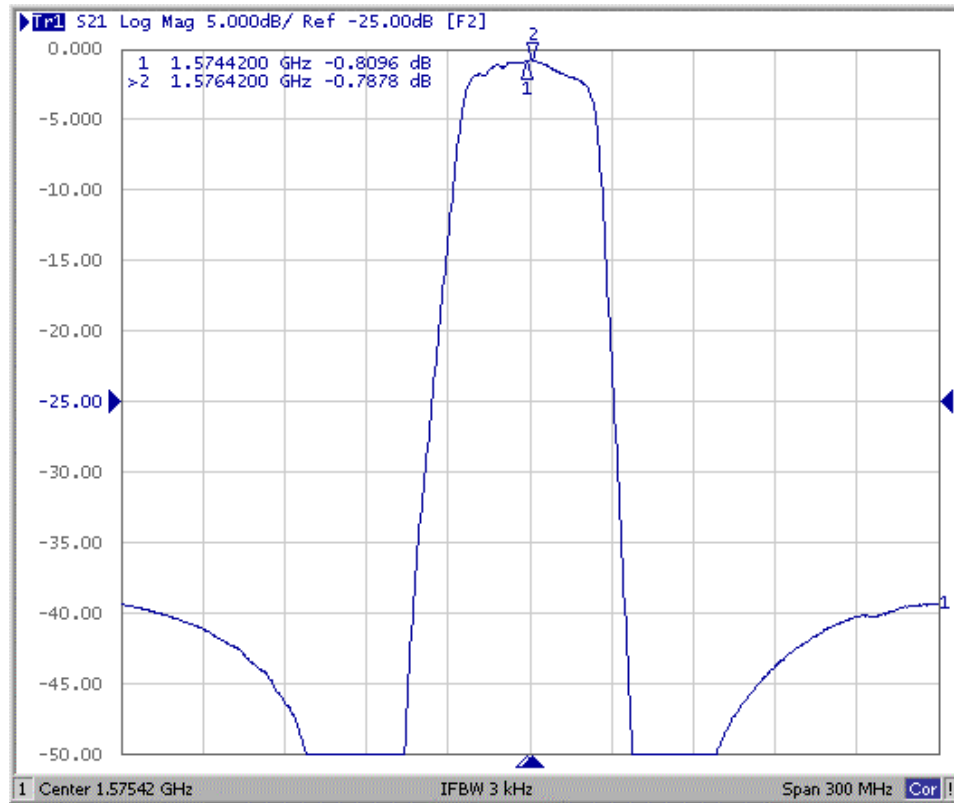
TMX FT02

SAW Filter for GPS

Preliminary Specification (Rev 1)

July 26th, 2012

Frequency characteristics / Transfer functions



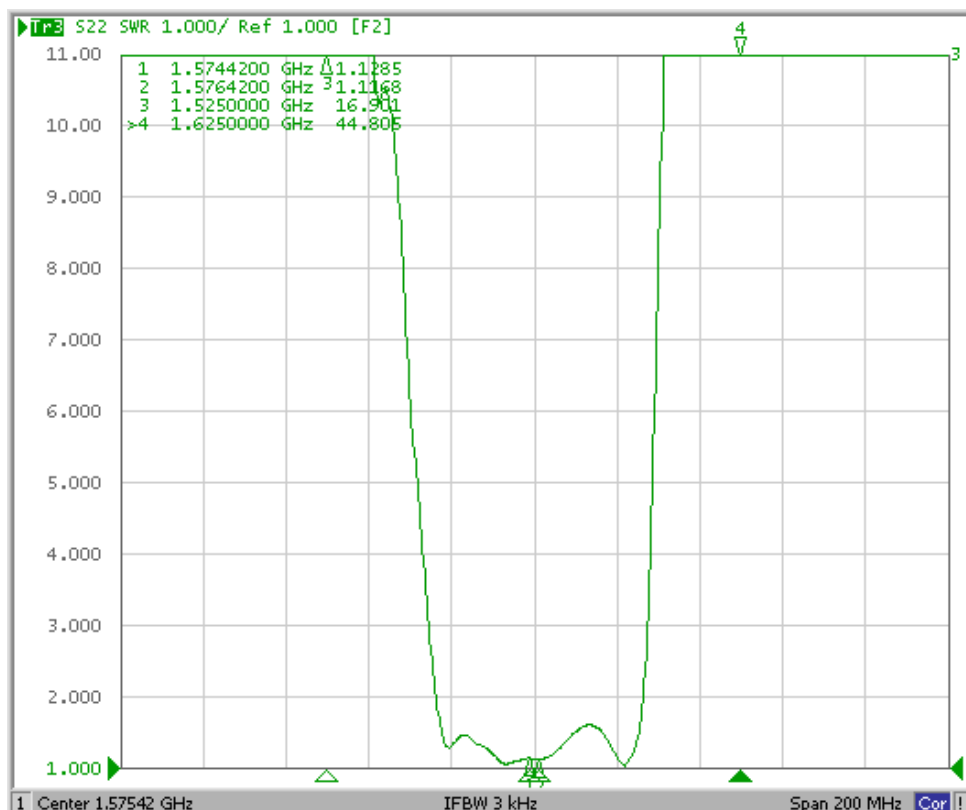
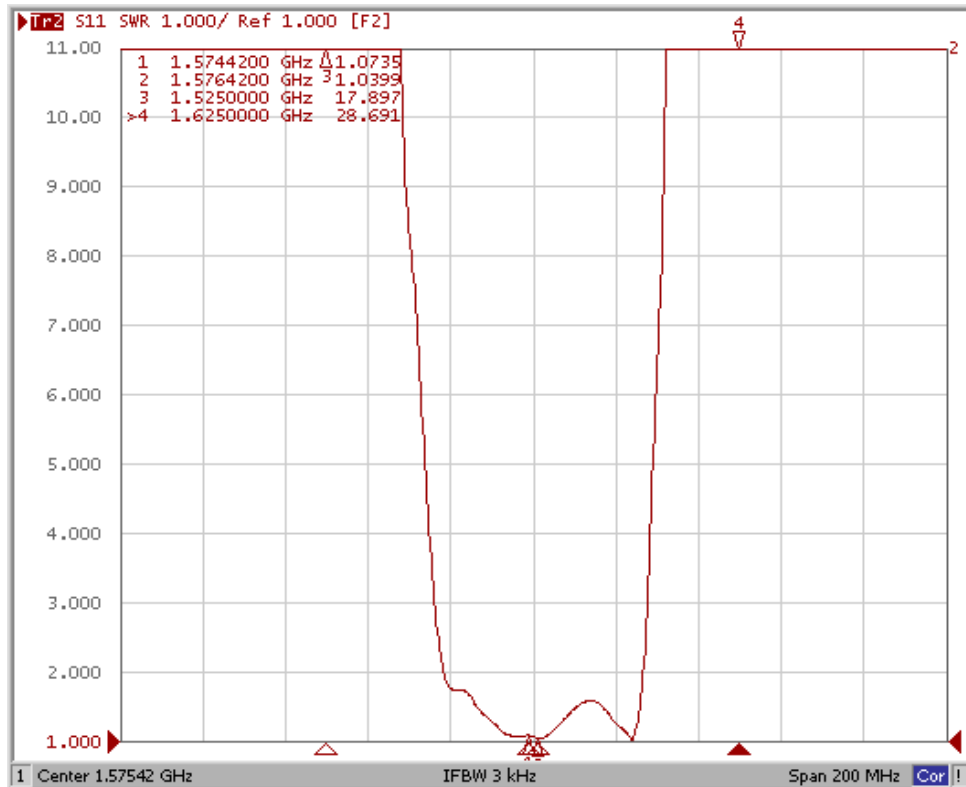
TMX FT02

SAW Filter for GPS

Preliminary Specification (Rev 1)

July 26th, 2012

Frequency characteristics / Reflection functions



TMX FT02

SAW Filter for GPS

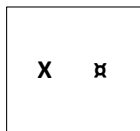
Preliminary Specification (Rev 1)

July 26th, 2012

Maximum ratings

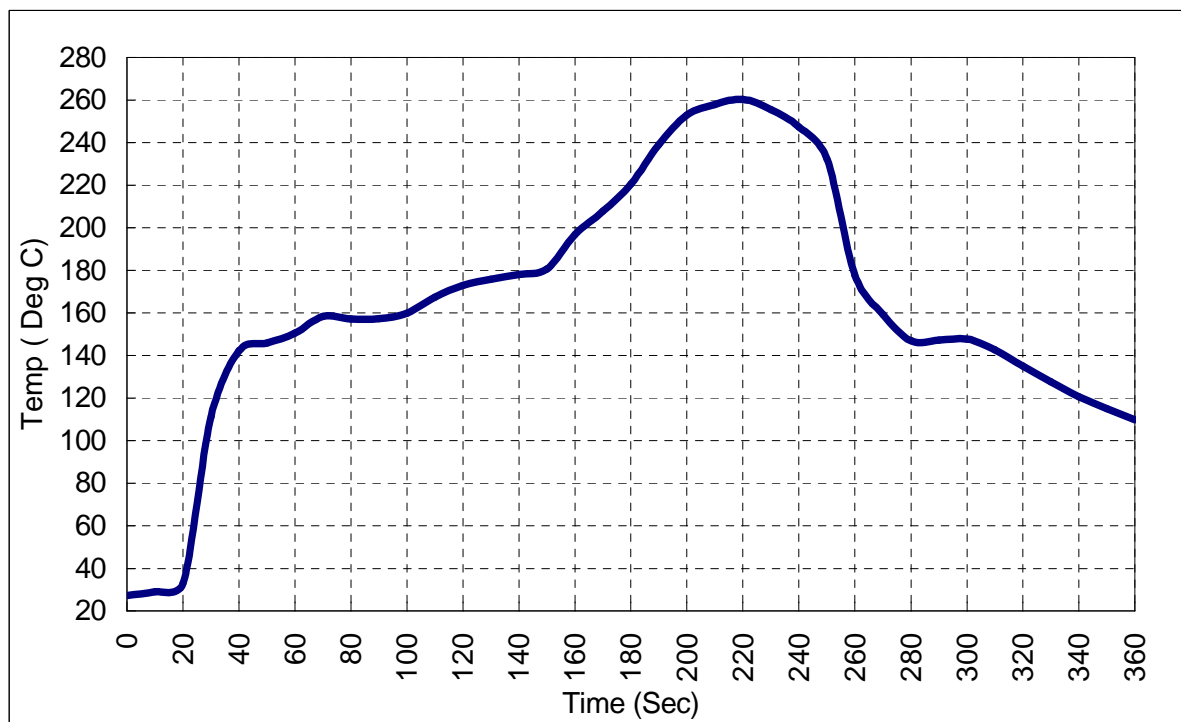
Storage Temperature Range	°C	[-40°C ; +85°C]
Operating temperature	°C	[-40°C ; +85°C]
DC voltage	V	3
Input Power Level	dBm	15

Marking



X: Partner identifier.
A: datecode in one letter.

Recommended reflow soldering profile



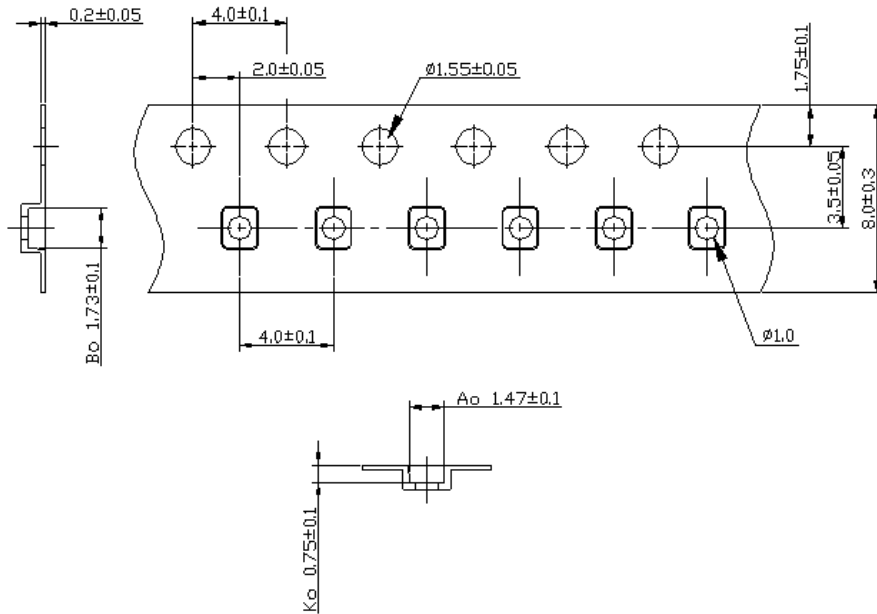
TMX FT02

SAW Filter for GPS

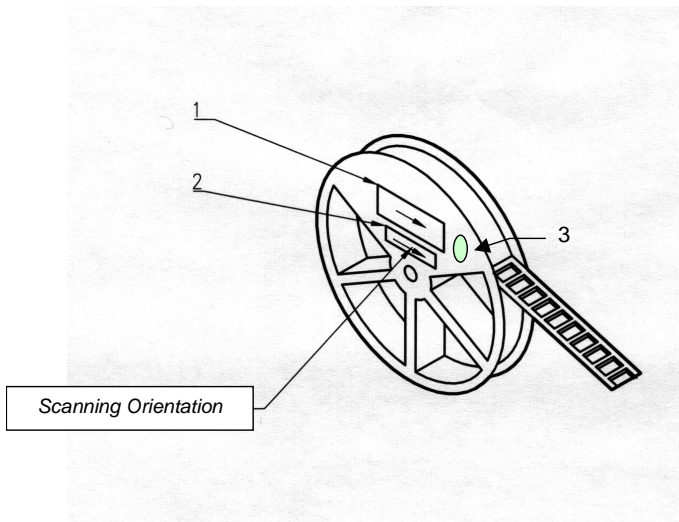
Preliminary Specification (Rev 1)

July 26th, 2012

Tape dimension: 7" reel



Packaging



3Kpcs/reel

- 1 - TEMEXPRESS Label
- 2 - ESD Prevention Label
- 3 - Pb Free Label