

TMX DT01

SAW Bandpass Filter - RF
Preliminary Specification (Rev 1)

▣ Features.....	P01
▣ Package Drawing & Pin out.....	P01
▣ Technical Characteristics	P02
▣ Test Circuit	P02
▣ Nominal Response	P03
▣ Maximum Ratings.....	P04
▣ Marking & Packaging.....	P04

TMX DT01

SAW Bandpass Filter – RF

Preliminary Specification (Rev 1)

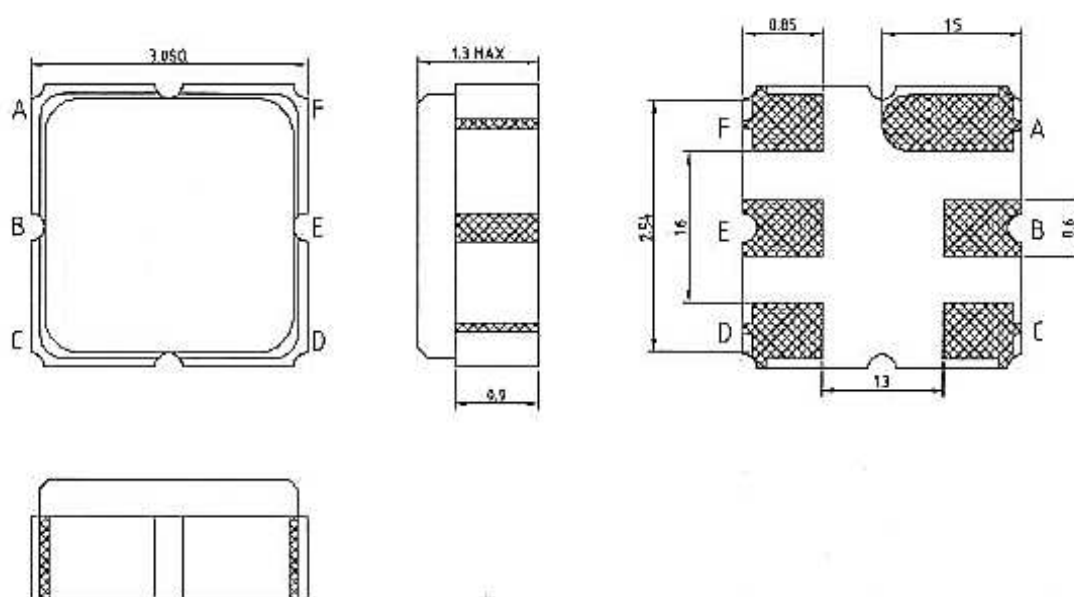
Jan 08th, 2009

Features

- ❑ RF SAW Filter
- ❑ 916.45 MHz Center Frequency
- ❑ Ceramic package for Surface Mounted Technology

Package Drawing & Pin out

The product is in conformance with the European RoHs Regulation 2002/95.



Pin Configuration

Input	B
Output	E
Case Ground	A, C, D, F

TMX DT01

SAW Bandpass Filter – RF

Preliminary Specification (Rev 1)

Jan 08th, 2009

Technical Characteristics

Reference Temperature : +25°C

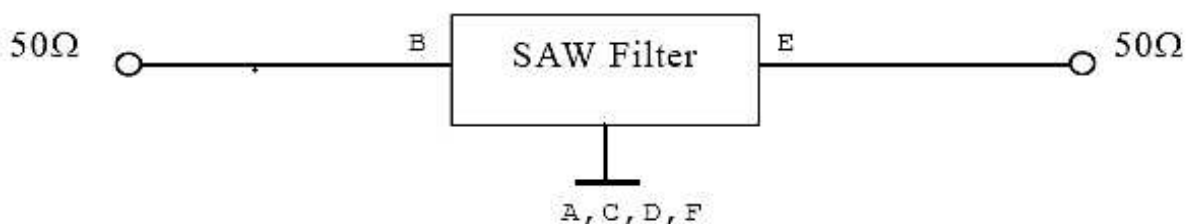
Electrical Parameters	Unit	Minimum	Typical ⁽¹⁾	Maximum
Center Frequency fo	MHz		916.45	
Passband Width (3dB)	MHz	fo ± 2.0		
Absolute Attenuation (reference from 0dB)				
DC to 600 MHz	dB	55	57	-
600 to 840 MHz	dB	40	51	-
869 to 894 MHz	dB	35	46	-
970 to 1500 MHz	dB	40	47	-
1500 to 3000 MHz	dB	25	32	-
Insertion Loss within Passband (914.45 ~ 918.45MHz)	dB	-	2.7	3.5
Amplitude ripple within Passband (914.45 ~ 918.45MHz)	dB		0.3	1.0
Source Impedance (single ended)	Ohms		50 ⁽²⁾	
Load Impedance (single ended)	Ohms		50 ⁽²⁾	
Package type & size				
Length x Width	mm		3.0 x 3.0	
Height	mm		1.3	1.5
Pin Out				
Input	B	Output	E	
Case Ground	A,C,D,F	To be grounded	A,C,D,F	

Notes :

- (1) Typical values are nominal performances at room temperature
- (2) No external matching circuit is required

Test Circuit

HP Network analyzer



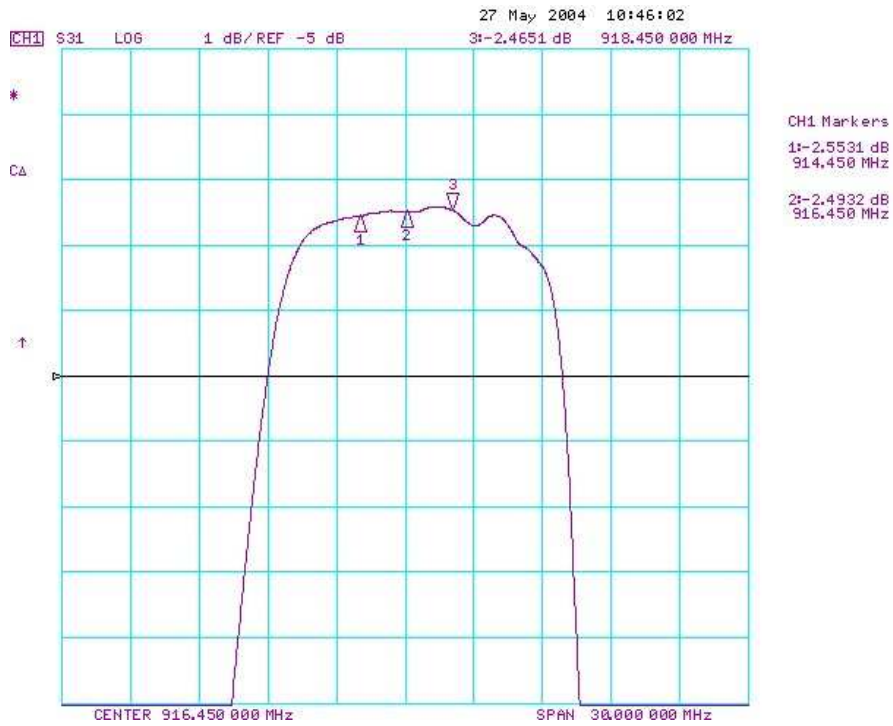
TMX DT01

SAW Bandpass Filter – RF

Preliminary Specification (Rev 1)

Jan 08th, 2009

Nominal Frequency Response (Measurements)



TMX DT01

SAW Bandpass Filter – RF

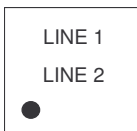
Preliminary Specification (Rev 1)

Jan 08th, 2009

Maximum Ratings

Storage Temperature Range	°C	[-40°C ; +85°C]
Operating temperature	°C	[-30°C ; +85°C]
DC voltage max	V	5
Maximum Input Power	dBm	15

Marking



Line 1: "NNNN" is the reference to Temex Part number with only the last 4 digits

Line 2: TYWWZZ is the date code as:

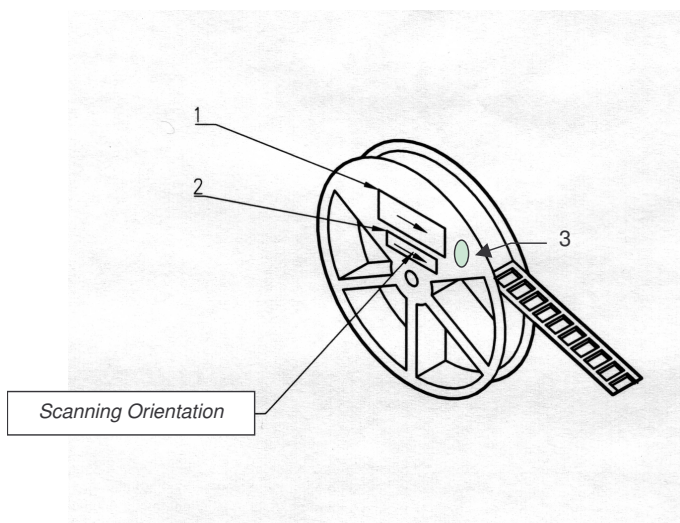
T: Partner identifier.

Y: last digit of the year.

WW: number of week in the year

ZZ: Lot number in the week (from AA to ZZ).

Packaging



3Kpcs/reel

- 1 – Temex Label
- 2 – ESD Prevention Label
- 3 – Pb Free Label