

# TMX CT04

SAW Bandpass Filter -Remote Control - RF  
*Preliminary Specification (Rev 1)*

---

▣ Features.....	P01
▣ Package Drawing & Pin out.....	P01
▣ Technical Characteristics .....	P02
▣ Matching Network .....	P02
▣ Nominal Response .....	P03
▣ Maximum Ratings.....	P04
▣ Marking & Packaging.....	P04

# TMX CT04

## SAW Bandpass Filter – Remote Control - RF

Preliminary Specification (Rev 1)

Aug 05<sup>th</sup>, 2008

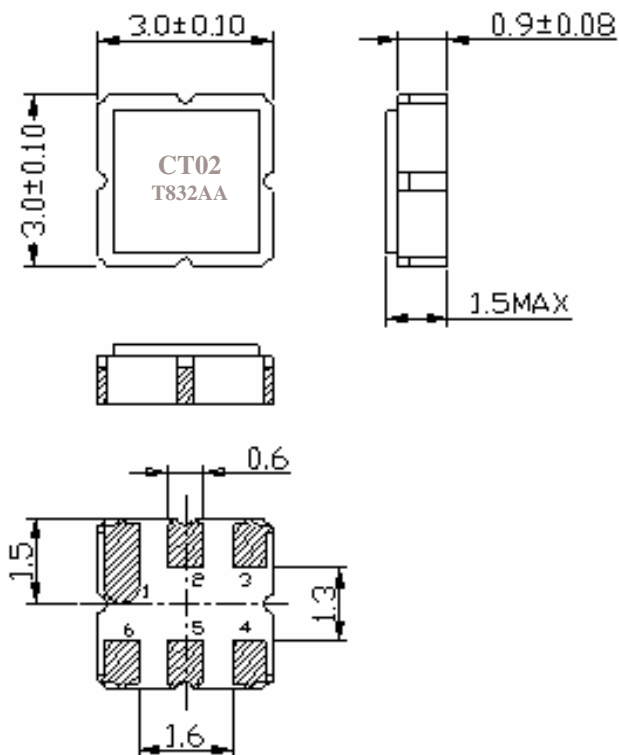
### Features

- ❑ RF SAW Filter
- ❑ 433.92 MHz Center Frequency
- ❑ 50 Ohms Single Configuration
- ❑ Ceramic package for Surface Mounted Technology

### Package Drawing & Pin out

The product is in conformance with the European RoHs Regulation 2002/95.

Unit: mm



#### Pin Configuration

Input	2
Output	5
Case Ground	1, 3, 4, 6

# TMX CT04

## SAW Bandpass Filter – Remote Control - RF

Preliminary Specification (Rev 1)

Aug 05<sup>th</sup>, 2008

### Technical Characteristics

Reference Temperature : +25°C

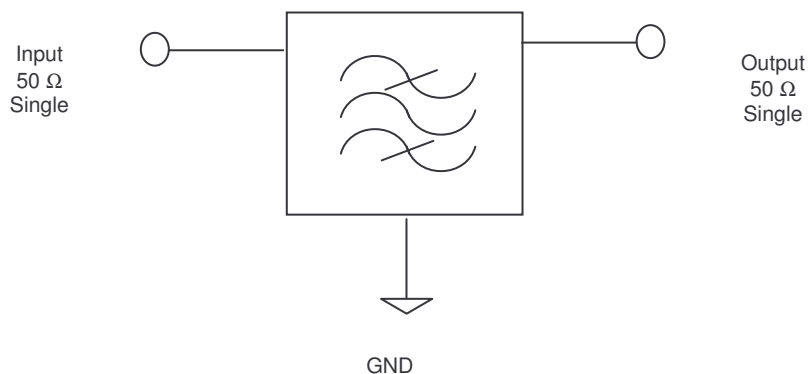
Electrical Parameters	Unit	Minimum	Typical <sup>(1)</sup>	Maximum
Source Impedance (Single ended)	Ohms	-	50 <sup>(2)</sup>	-
Load Impedance (Single ended)	Ohms	-	50 <sup>(2)</sup>	-
Center Frequency fo	MHz		433.92	
<b>Absolute Attenuation (reference from 0dB)</b>				
From 389.0 MHz to 392.0 MHz	dB	42	54	-
From 411.0 MHz to 414.0 MHz	dB	40	50	-
From 454.0 MHz to 457.0 MHz	dB	40	51	-
From 475.5 MHz to 478.5 MHz	dB	42	52	
Insertion Loss in 433.00 MHz – 434.71 MHz	dB		2.0	2.7
Amplitude ripple within [433.00 MHz – 434.71 MHz]	dB		0.3	1.3
<b>Package type &amp; size</b>				
Length x Width	mm		3.0 x 3.0	
Height	mm		1.3	1.5
<b>Pin Out</b>				
Input	2	Output	5	
Case Ground	1,3,4,6	To be grounded	1,3,4,6	

**Notes :**

- (1) Typical values are nominal performances at room temperature
- (2) Not external matching circuit is required

### Matching Network

#### 50 Ω / 50 Ω Configuration



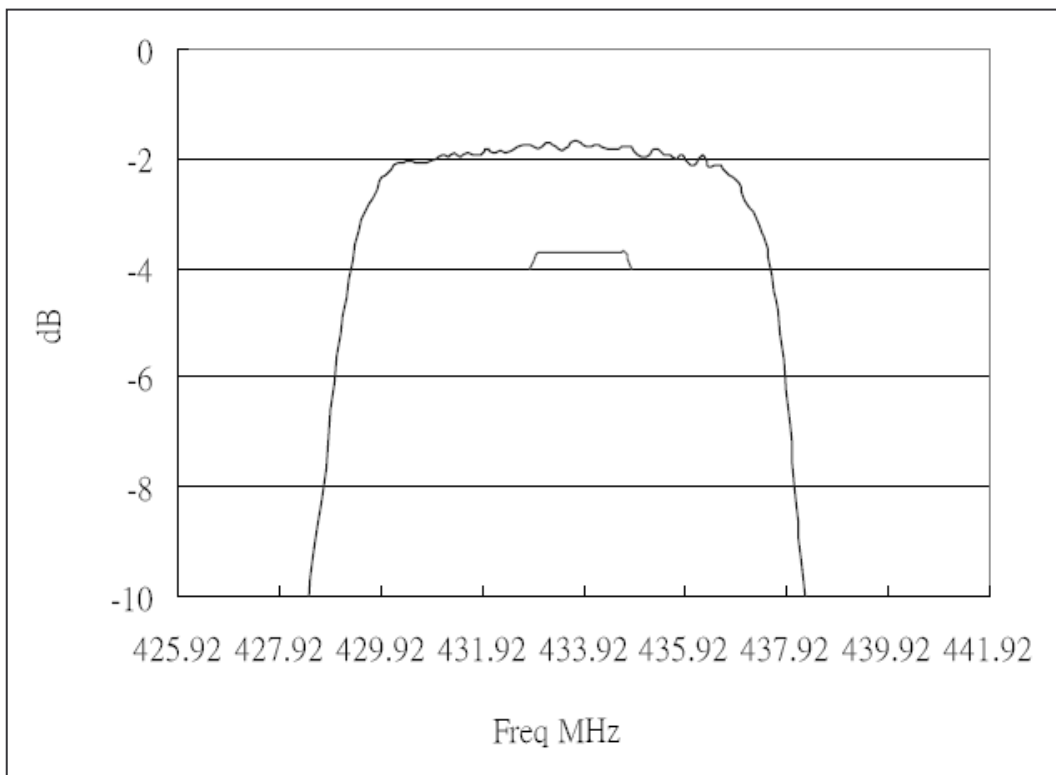
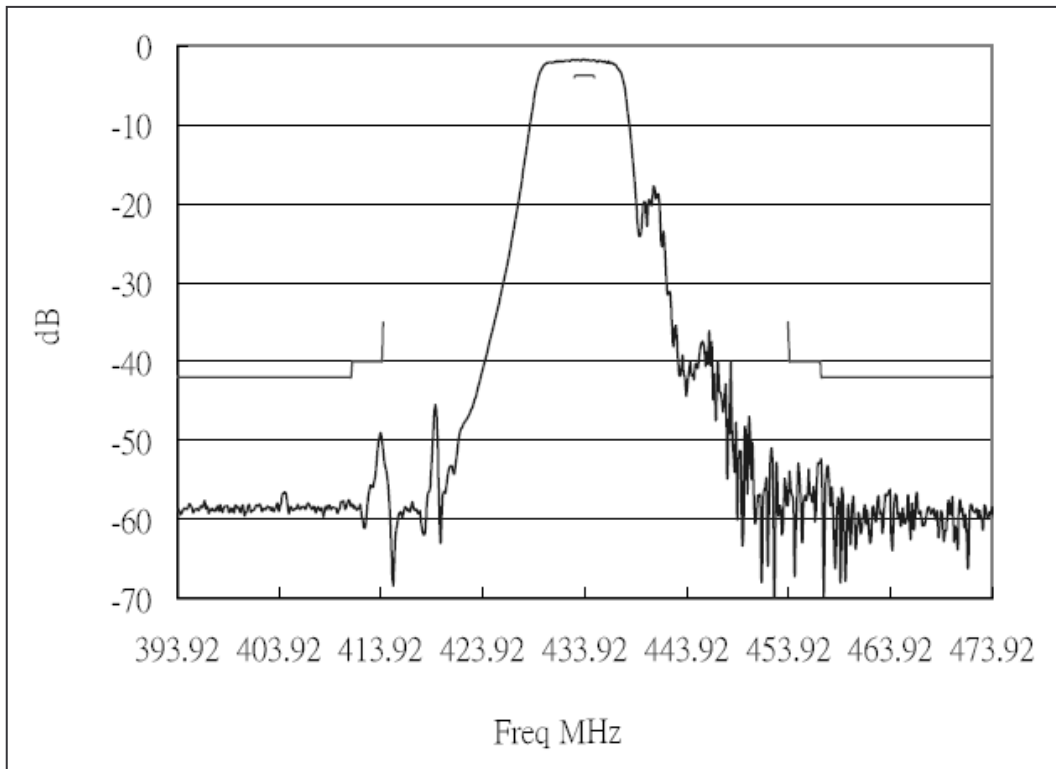
# TMX CT04

## SAW Bandpass Filter – Remote Control - RF

Preliminary Specification (Rev 1)

Aug 05<sup>th</sup>, 2008

**Nominal Frequency Response (Measurements)**



# TMX CT04

## SAW Bandpass Filter – Remote Control - RF

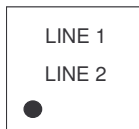
Preliminary Specification (Rev 1)

Aug 05<sup>th</sup>, 2008

### Maximum Ratings

Storage Temperature Range	°C	[-40°C ; +85°C]
Operating temperature	°C	[-10°C ; +60°C]
DC voltage	V	3
RF Power Dissipation	dBm	10

### Marking



Line 1: "NNNN" is the reference to Temex Part number with only the last 4 digits

Line 2: TYWWZZ is the date code as:

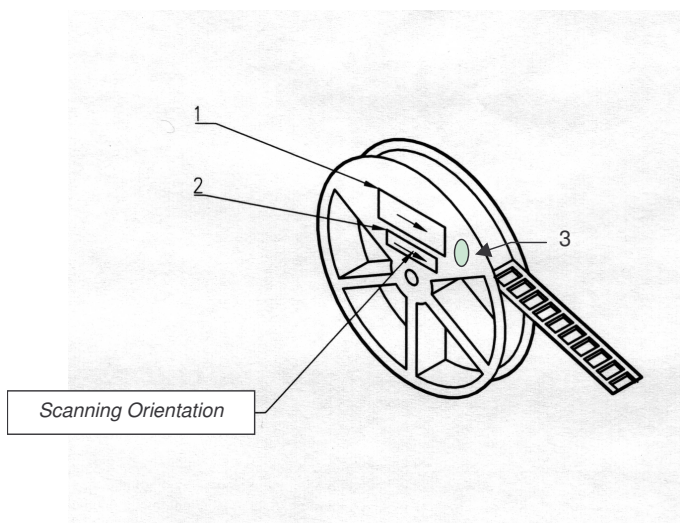
T: Partner identifier.

Y: last digit of the year.

WW: number of week in the year

ZZ: Lot number in the week (from AA to ZZ).

### Packaging



3Kpcs/reel

- 1 – Temex Label
- 2 – ESD Prevention Label
- 3 – Pb Free Label