



TMX AT15

SAW Bandpass Filter – Broadcast - RF
Specification (Rev 1)

- ▣ Features..... P01
- ▣ Package Drawing & Pin out..... P01
- ▣ Technical Characteristics P02
- ▣ Matching Network P02
- ▣ Nominal Response..... P03
- ▣ Maximum Ratings..... P04
- ▣ Marking & Packaging P04

TMX AT15

SAW Bandpass Filter – Broadcast - RF

Specification (Rev. 1)- RF

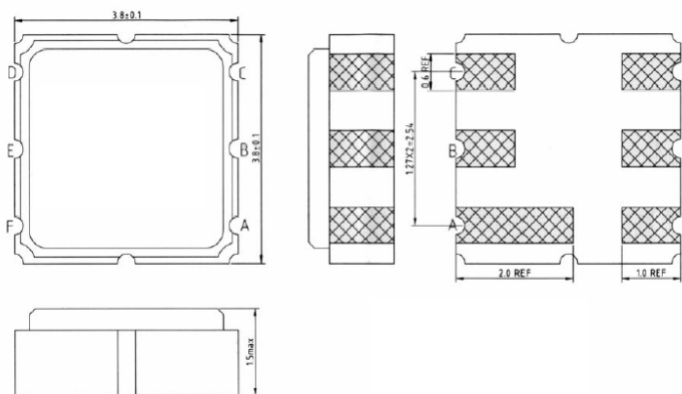
March 05th, 2006

Features

- ❑ RFSAW Filter for Broadcast
- ❑ 1030 MHz Center Frequency
- ❑ 30 MHz useable Passband
- ❑ 50 Ohms Single Configuration
- ❑ Ceramic package for Surface Mounted Technology

Package Drawing & Pin out

The product is in conformance with the European RoHs Regulation 2002/95.



Pin Configuration

Input	B
Output	E
Case ground	A, C, D, F

TMX AT15

SAW Bandpass Filter – Broadcast - RF

Specification (Rev.1)- RF

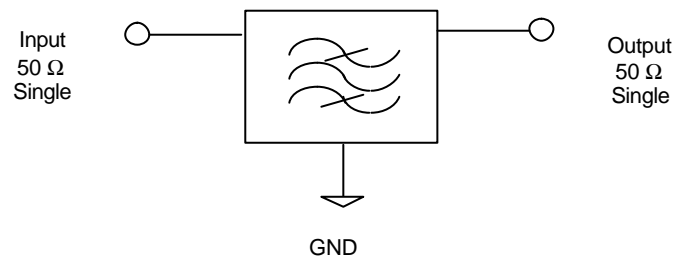
March 05th, 2006

Technical Characteristics

Reference Temperature : +25°C

Electrical Parameters	Unit	Minimum	Typical ⁽¹⁾	Maximum
Source Impedance (single)	Ohms	-	50	-
Load Impedance (single)	Ohms	-	50	-
Center Frequency f_c	MHz	-	1030	-
Bandwidth at -3dB	MHz	30	-	-
Absolute Attenuation				
DC to 910 MHz	dB	25	30	-
1090 MHz to 1300 MHz	dB	25	33	-
Insertion Loss within 1015 MHz – 1045 MHz	dB	-	2.3	3.0
Amplitude Ripple within 1015 MHz – 1035 MHz	dB	-	0.3	1.0
VSWR within 1015 MHz – 1045 MHz		-	1.8	2.1

Matching Network



TMX AT15

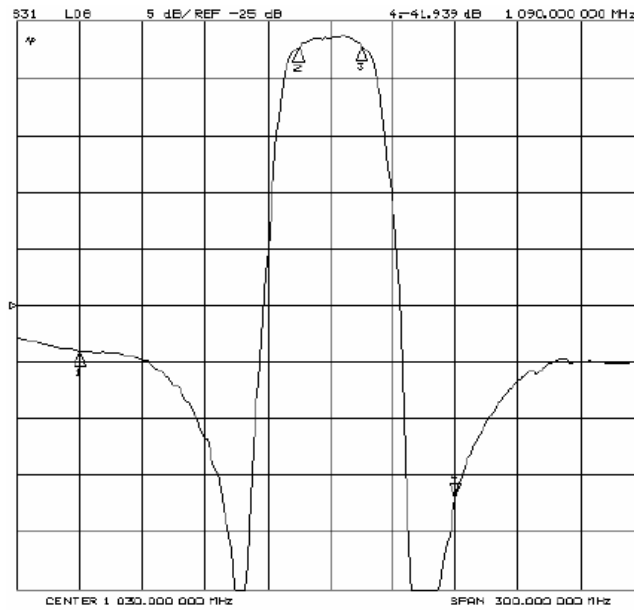
SAW Bandpass Filter – Broadcast - RF

Specification (Rev.1)- RF

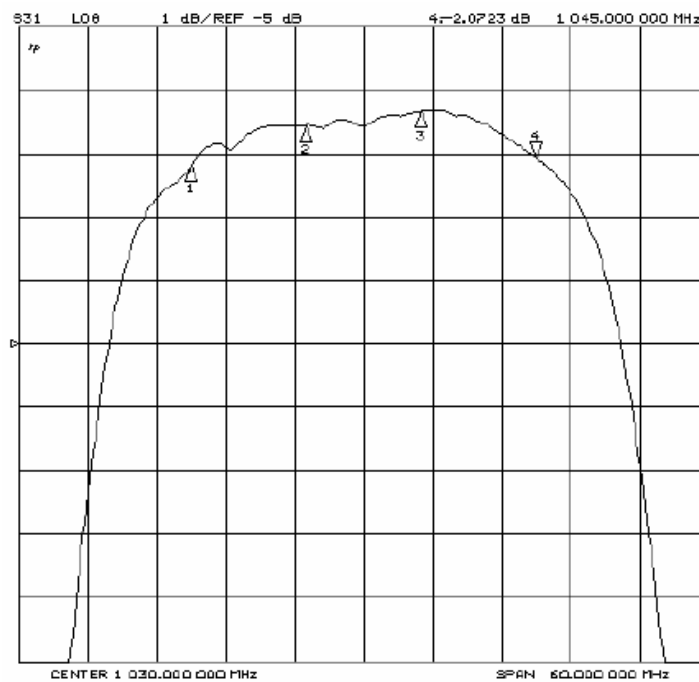
March 05th, 2006

Nominal Frequency Response (Measurements)

Frequency Response



Frequency Response



TMX AT15

SAW Bandpass Filter – Broadcast - RF

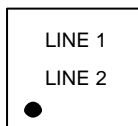
Specification (Rev.1)- RF

March 05th, 2006

Maximum Ratings

Storage Temperature Range	°C	[-40°C ; +85°C]
Operating temperature	°C	[-30°C ; +85°C]
DC voltage	V	0
Input Power	dBm	10

Marking



Line 1: "NNNN" is the reference to Temex Part number with only the last 4 digits

Line 2: RYWWZZ is the date code as:

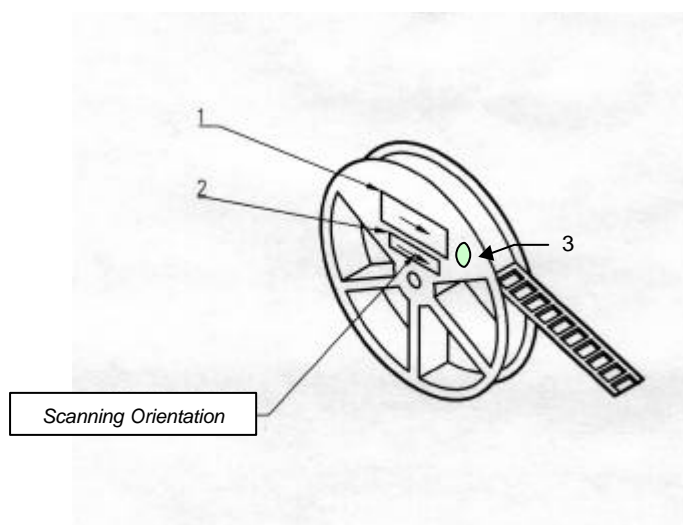
R: Partner identifier.

Y: last digit of the year.

WW: number of week in the year

ZZ: Lot number in the week (from AA to ZZ).

Packaging



1 – Temex Label

2 – ESD Prevention Label

3 – Pb Free Label