



# TMX AT10

SAW Bandpass Filter – WCDMA Tx - RF  
Preliminary Specification (Rev 1)

---

- ▣ Features..... P01
- ▣ Package Drawing & Pin out..... P01
- ▣ Technical Characteristics ..... P02
- ▣ Matching Network ..... P02
- ▣ Nominal Response..... P03
- ▣ Maximum Ratings..... P04
- ▣ Marking & Packaging ..... P04

# TMX AT10

## SAW Bandpass Filter – WCDMA Tx - RF

Preliminary Specification (Rev.1)- RF

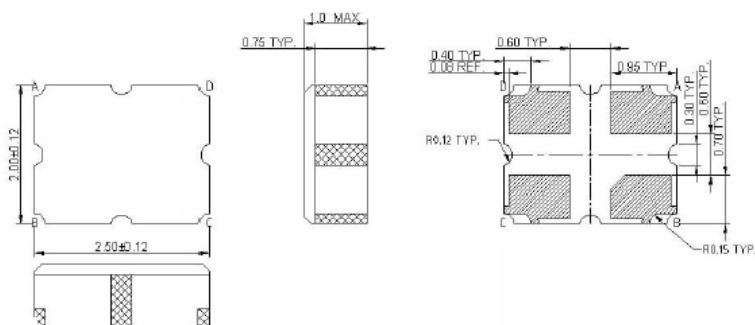
February 3<sup>rd</sup>, 2006

### Features

- ❑ Tx SAW Filter for WCDMA
- ❑ 1950 MHz Center Frequency
- ❑ 60 MHz useable Passband
- ❑ 50 Ohms Single Configuration
- ❑ Ceramic package for Surface Mounted Technology

### Package Drawing & Pin out

The product is in conformance with the European RoHs Regulation 2002/95.



Pin Configuration	
Input	B
Output	D
Case ground	A, C

# TMX AT10

## SAW Bandpass Filter – WCDMA Tx - RF

Preliminary Specification (Rev.1)- RF

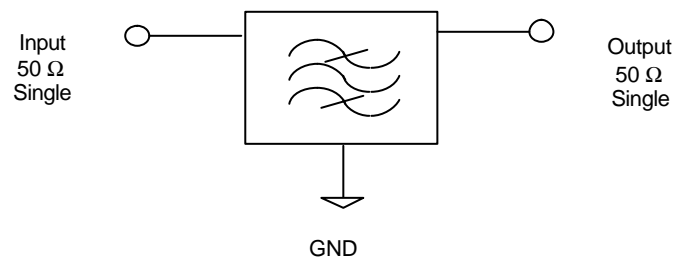
February 3<sup>rd</sup>, 2006

### Technical Characteristics

Reference Temperature : +25°C

Electrical Parameters	Unit	Minimum	Typical <sup>(1)</sup>	Maximum
Source Impedance (single)	Ohms	-	50	-
Load Impedance (single)	Ohms	-	50	-
Center Frequency $f_c$	MHz	-	1950	-
Bandwidth at -3dB	MHz	60	-	-
<b>Absolute Attenuation</b>				
1135 MHz to 1145 MHz	dB	25	29	-
1705 MHz to 1715 MHz	dB	25	29	-
1805 MHz to 1880 MHz	dB	25	35	-
2110 MHz to 2170 MHz	dB	30	34	-
2300 MHz to 2360 MHz	dB	30	33	-
2490 MHz to 2550 MHz	dB	30	35	-
2680 MHz to 2740 MHz	dB	30	34	-
3060 MHz to 3120 MHz	dB	30	44	-
3840 MHz to 3960 MHz	dB	30	31	-
Insertion Loss within 1920 MHz – 1980 MHz	dB	-	2.4	3.5
Amplitude ripple within 1920 MHz – 1980 MHz	dB	-	1.1	2.0
Input/Output VSWR within 1920 MHz – 1980 MHz		-	1.7	2.6

### Matching Network



# TMX AT10

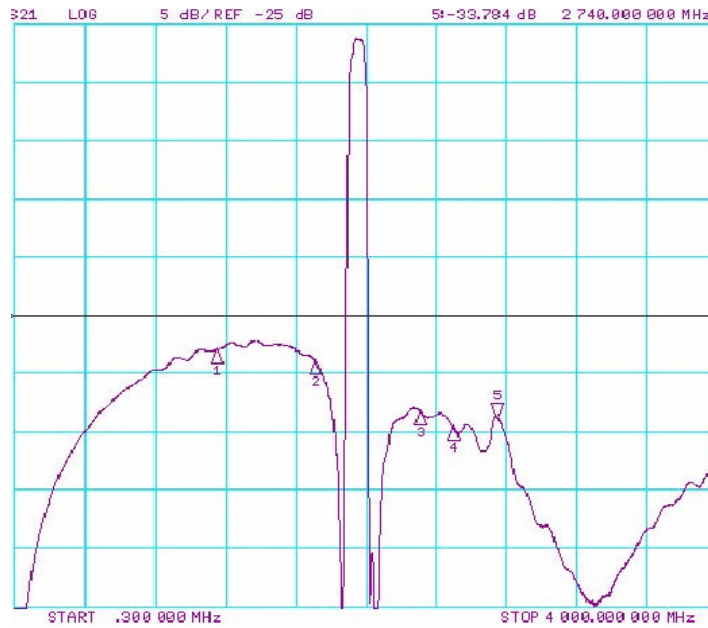
## SAW Bandpass Filter – WCDMA Tx - RF

Preliminary Specification (Rev.1)- RF

February 3<sup>rd</sup>, 2006

### Nominal Frequency Response (Measurements)

Frequency Response



# TMX AT10

## SAW Bandpass Filter – WCDMA Tx - RF

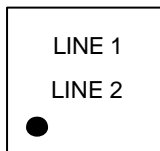
Preliminary Specification (Rev.1)- RF

February 3<sup>rd</sup>, 2006

### Maximum Ratings

Storage Temperature Range	°C	[-20°C ; +75°C]
Operating temperature	°C	[-40°C ; +85°C]
DC voltage	V	0
Input Power	dBm	10

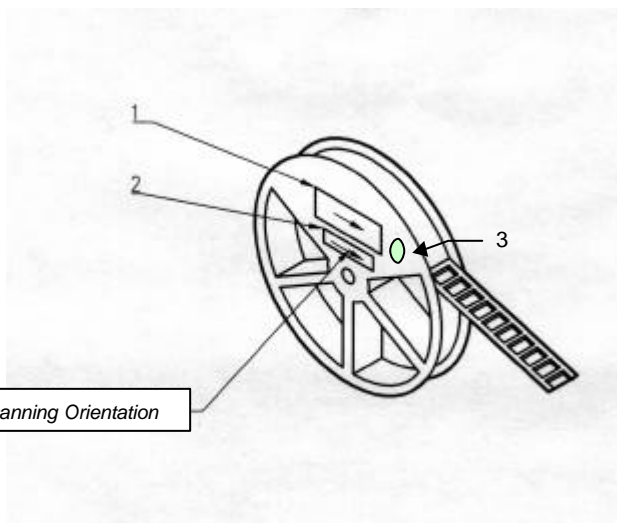
### Marking



Line 1: "P C" with P for the code product identification and C for the partner identifier

Line 2: "Y W" with Y for the last digit of the year and W for the week code (A to Z for the week 1 to 26 and a to z for the week 27 to 52).

### Packaging



- 1 – Temex Label
- 2 – ESD Prevention Label
- 3 – Pb Free Label