

TMX AT09

SAW Bandpass Filter – WCDMA Rx – RF
Specification (Rev 1)

▣ Features.....	P01
▣ Package Drawing & Pin out.....	P01
▣ Technical Characteristics	P02
▣ Matching Network.....	P02
▣ Nominal Response.....	P03
▣ Maximum Ratings.....	P04
▣ Marking & Packaging	P04

TMX AT09

SAW Bandpass Filter – WCDMA Rx – RF

Specification (Rev 1)

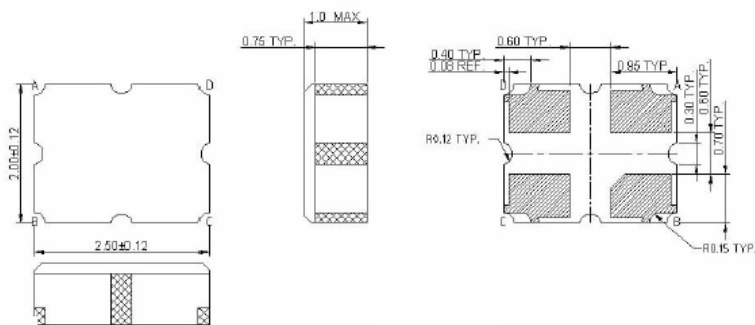
August 18th, 2006

Features

- ❑ Rx Filter for WCDMA
- ❑ 2140 MHz Center Frequency
- ❑ 60 MHz useable Passband
- ❑ 50 Ohms Single Input / 50 Ohms Single Output Configuration
- ❑ Ceramic Package for Surface Mounted Technology

Package Drawing & Pin out

The product is in conformance with the European RoHs Regulation 2002/95.



Pin Configuration

Input	B
Output	D
Case ground	A, C

TMX AT09

SAW Bandpass Filter – WCDMA Rx – RF

Specification (Rev 1)

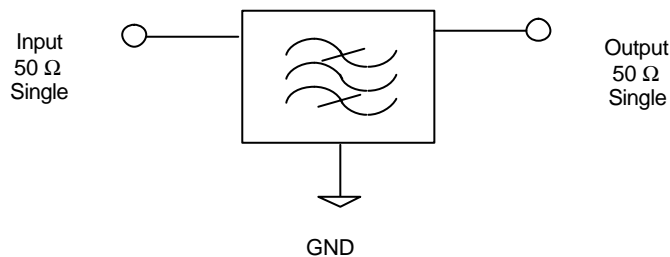
August 18th, 2006

Technical Characteristics

Reference Temperature : +25°C

Electrical Parameters	Unit	Minimum	Typical ⁽¹⁾	Maximum
Source Impedance (single ended)	Ω	-	50	-
Load Impedance (single ended)	Ω	-	50	-
Center Frequency fo	MHz	-	2140	-
Bandwidth at -3 dB	MHz	60	-	-
Absolute attenuation				
1920 MHz to 1980 MHz	dB	25	34	-
2205 MHz to 2265 MHz	dB	10	35	-
2300 MHz to 2360 MHz	dB	30	40	-
2490 MHz to 2550 MHz	dB	30	37	-
2870 MHz to 2930 MHz	dB	30	40	-
4220 MHz to 4340 MHz	dB	20	35	-
Insertion Loss within 2110 MHz ~ 2170 MHz	dB	-	2.4	3.5
VSWR within 2110 MHz ~ 2170 MHz		-	1.5	2.3
Ripple within 2110 MHz ~ 2170 MHz	dB	-	1	1.8

Matching Network



TMX AT09

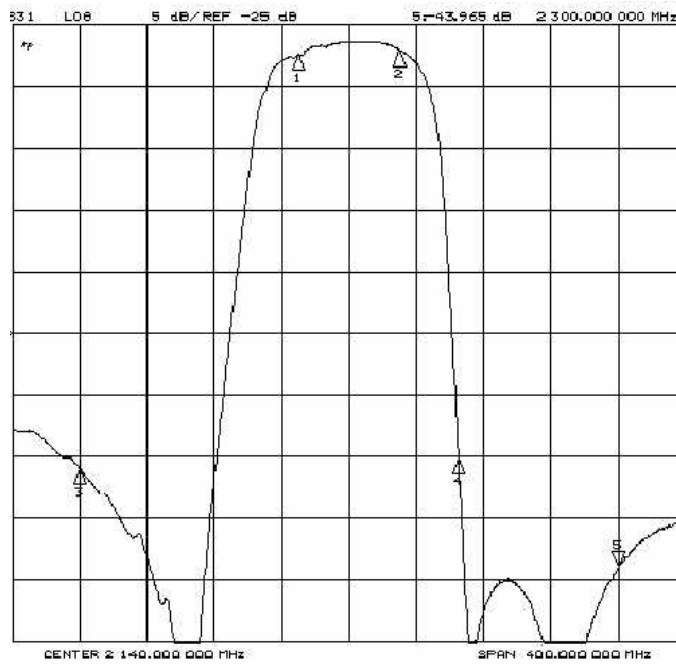
SAW Bandpass Filter – WCDMA Rx – RF

Specification (Rev 1)

August 18th, 2006

Nominal Frequency Response (Measurements)

Frequency Response



TMX AT09

SAW Bandpass Filter – WCDMA Rx – RF

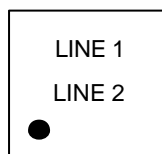
Specification (Rev 1)

August 18th, 2006

Maximum Ratings

Operating Temperature Range	°C	[-25°C ; +75°C]
Storage Temperature Range	°C	[-40°C ; +85°C]
DC voltage	V	0
Input Power at 40°C	dBm	10

Marking



Line 1: “P C” with P for the code product identification and C for the partner identifier

Line 2: “Y W” with Y for the last digit of the year and W for the week code (A to Z for the week 1 to 26 and a to z for the week 27 to 52).

Packaging

1. Temex label
2. ESD Prevention label
3. Pb free label (if applicable)

