

TMX AT03

SAW Bandpass Filter – DVB-C - RF
Specification (Rev 2)

| | |
|-----------------------------------|-----|
| ▣ Features..... | P01 |
| ▣ Package Drawing & Pin out..... | P01 |
| ▣ Technical Characteristics | P02 |
| ▣ Matching Network | P02 |
| ▣ Nominal Response | P03 |
| ▣ Maximum Ratings..... | P04 |
| ▣ Marking & Packaging..... | P04 |

TMX AT03

SAW Bandpass Filter – DVB-C - RF

Specification (Rev.2)- RF

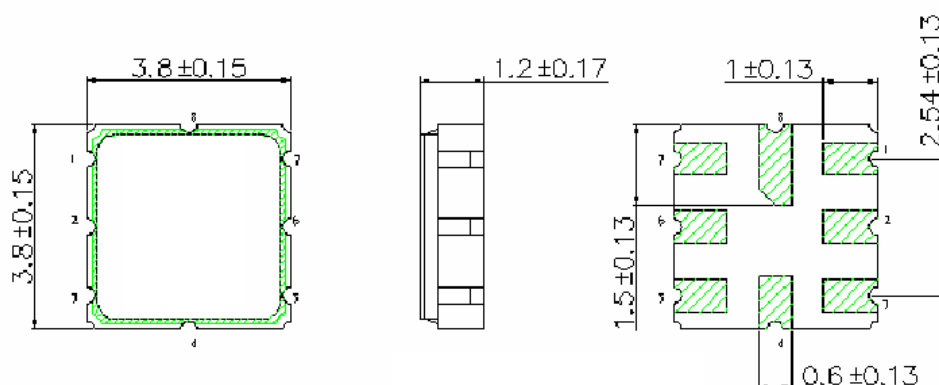
March 24th, 2009

Features

- ❑ RF SAW Filter for DVB-C
- ❑ 1090 MHz Center Frequency
- ❑ 12 MHz useable Passband
- ❑ 50 Ohms Balance Configuration
- ❑ Ceramic package for Surface Mounted Technology

Package Drawing & Pin out

The product is in conformance with the European RoHs Regulation 2002/95.



Pin Configuration

| | |
|---------------|------------|
| Input | 1 |
| Input return | 2 |
| Output | 5 |
| Output return | 6 |
| To be ground | 3, 4, 7, 8 |

TMX AT03

SAW Bandpass Filter – DVB-C - RF

Specification (Rev.2)- RF

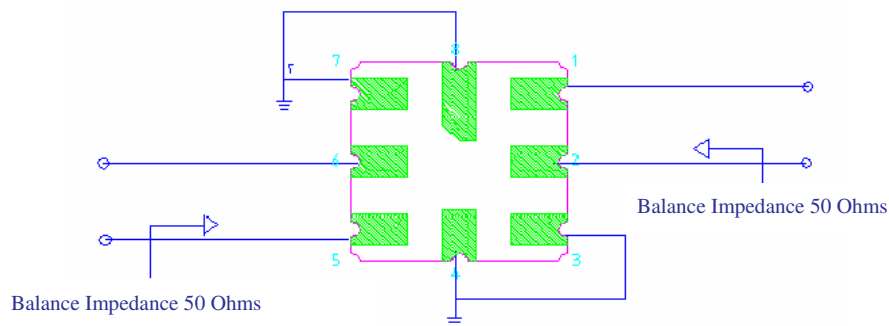
March 24th, 2009

Technical Characteristics

Reference Temperature : +25°C

| Electrical Parameters | Unit | Minimum | Typical ⁽¹⁾ | Maximum |
|---|------|---------|------------------------|---------|
| Source Impedance (balance) | Ohms | - | 50 | - |
| Load Impedance (balance) | Ohms | - | 50 | - |
| Center Frequency f_c | MHz | - | 1090 | - |
| Bandwidth | MHz | 12 | - | - |
| Absolute Attenuation | | | | |
| 500 MHz to 944 MHz | dB | 45 | 50 | - |
| 944 MHz to 1051 MHz | dB | 40 | 47 | - |
| 1051 MHz to 1061 MHz | dB | 30 | 40 | - |
| 1170 MHz to 2000 MHz | dB | 40 | 45 | - |
| Insertion Loss within 1084 MHz ~ 1096 MHz | dB | - | 3.9 | 5.2 |
| Ripple within 1084 MHz ~ 1096 MHz | dB | - | 0.6 | 1.5 |

Matching Network



TMX AT03

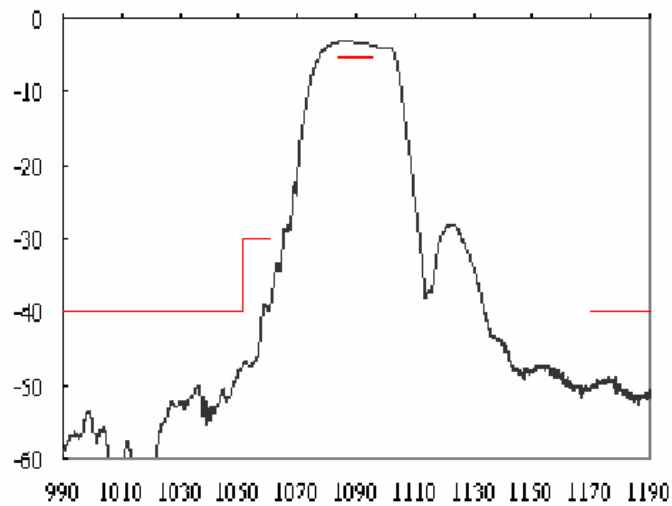
SAW Bandpass Filter – DVB-C - RF

Specification (Rev.2)- RF

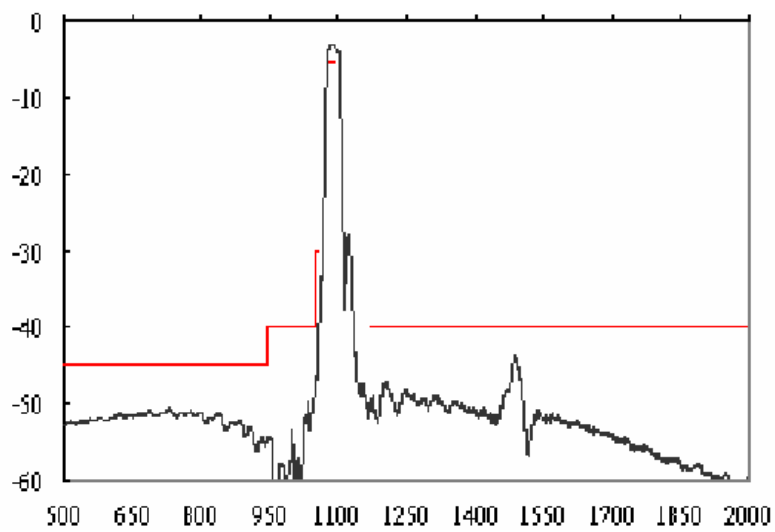
March 24th, 2009

Nominal Frequency Response

Frequency Response



Frequency Response



TMX AT03

SAW Bandpass Filter – DVB-C - RF

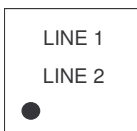
Specification (Rev.2)- RF

March 24th, 2009

Maximum Ratings

| | | |
|----------------------------|-----|-------------------|
| Storage Temperature Range | °C | [-40 °C ; +85 °C] |
| Operable temperature Range | °C | [-40 °C ; +85 °C] |
| DC voltage | V | 0 |
| Input Power Level | dBm | 10 |

Marking



Line 1: "NNNN" is the reference to Temex Part number with only the last 4 digits

Line 2: RYWWZZ is the date code as:

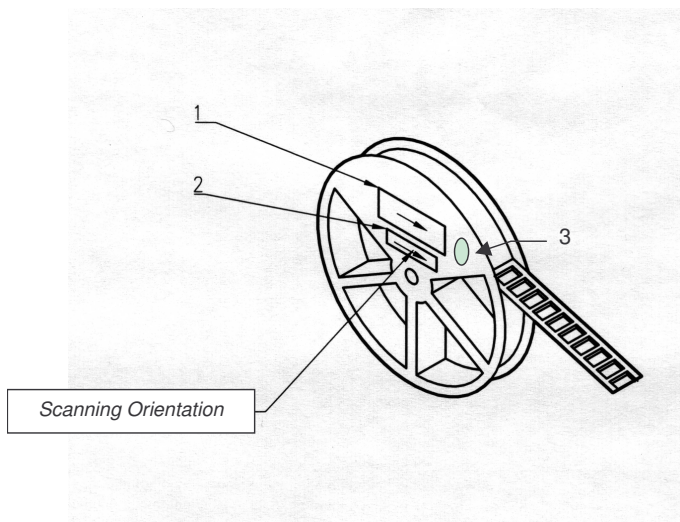
R: Partner identifier.

Y: last digit of the year.

WW: number of week in the year

ZZ: Lot number in the week (from AA to ZZ).

Packaging



1 – Temex Label

2 – ESD Prevention Label

3 – Pb Free Label